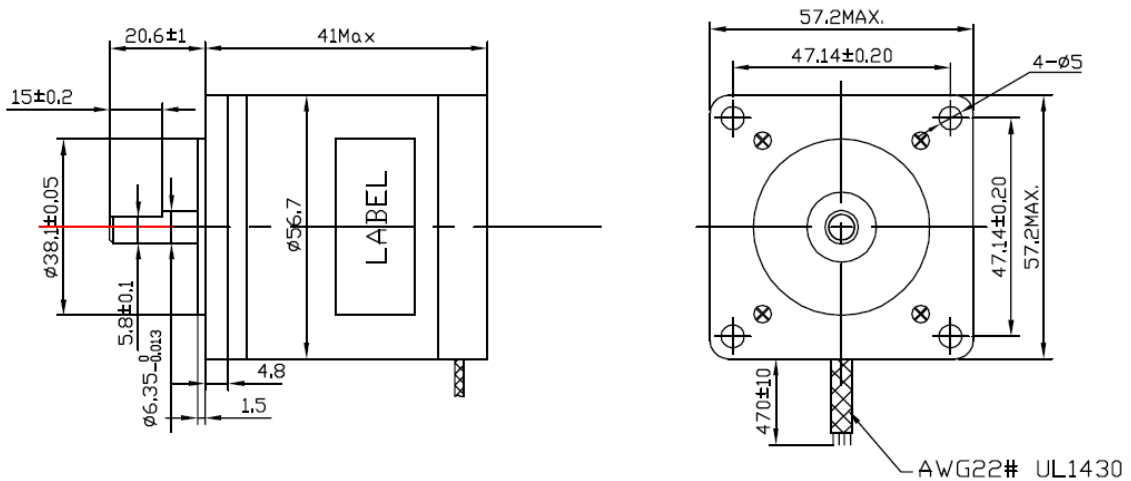


MOTOR DE PASSO KTC-5023-019

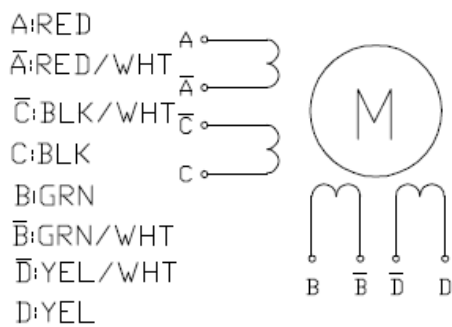
Dimension:



specifications:

| CONNECTING TYPE | PHASE | STEP ANGLE | RATED VOLTAGE | CURRENT /PHASE | RESISTANCE /PHASE | INDUCTANCE /PHASE | HOLDING TORQUE | ROTOR INERTIA | WEIGHT |
|--------------------------|-------|------------|---------------|----------------|-------------------|-------------------|----------------|------------------|--------|
| | | DEG/STEP | V | A | ohms | mH | kg.cm | gcm ² | Kg |
| Unipolar SERIES PARALLEL | 4 | 1.8 | 13.2 | 0.44 | 30 | 27 | 2.9 | 300 | 0.7 |
| | | | 18.6 | 0.31 | 60 | 108 | 4.1 | | |
| | | | 9.3 | 0.62 | 15 | 27 | | | |

Wire Diagram



| CW DIRECTION | STEP | A | C | B | D | O | M |
|--------------|------|---|---|---|---|---|---|
| ↓ | 1 | + | | + | | + | + |
| | 2 | | + | + | | + | + |
| | 3 | | + | | + | + | + |
| | 4 | + | | | + | + | + |
| | 1 | + | | + | | + | + |

CW SEE FROM THE FLANGE SIDE