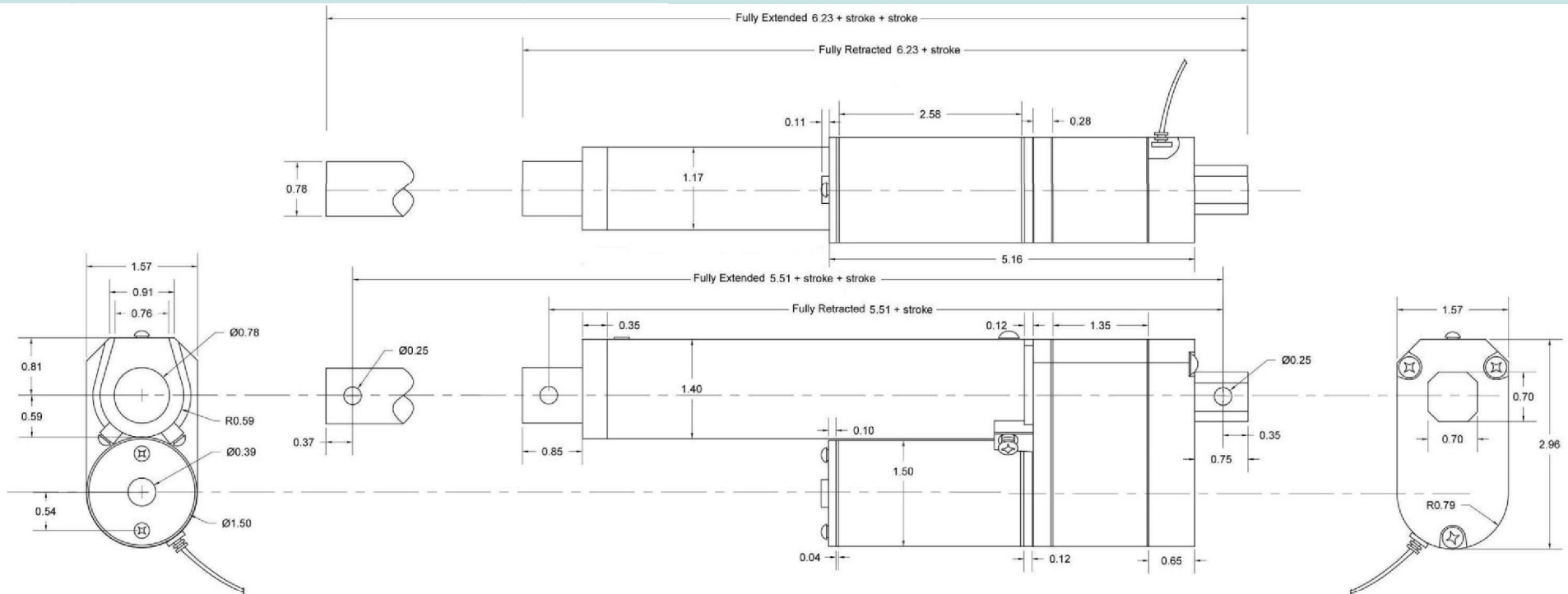


#### SPECIFICATIONS

Input Voltage: 12 OU 24 VDC  
 Current: 5A at full load  
 Load Capacity: 35 lbs, 50 lbs, 150 lbs  
 Static Load: 2 x Load  
 Speed: 0.59"/sec - 2.00"/sec  
 Stroke length: 2" to 40"  
 Mounting holes: 0.25" diameter  
 Potentiometer: 10KΩ  
 Screw: ACME Screw  
 Duty Cycle 25%

Operational Temperature: -26°C~65°C  
 (-15°F~150°F)  
 Limit Switch: built-in non adjustable  
 IP Grade: IP54  
 Certification: CE and RoHS  
 Housing: Aluminum Alloy  
 Gears: Powder Metallurgy  
 Wire Length: 40"  
 Gear Ratio: 20:1

#### DIMENSIONS IN INCHES



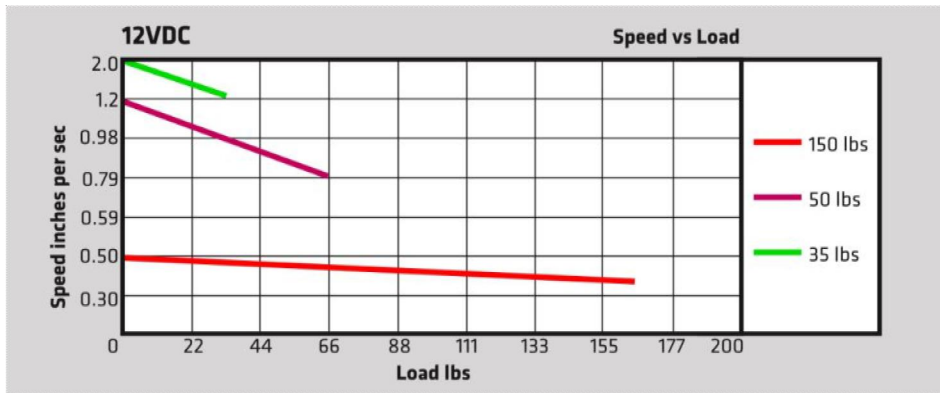
# D-24P

## LINEAR ACTUATOR

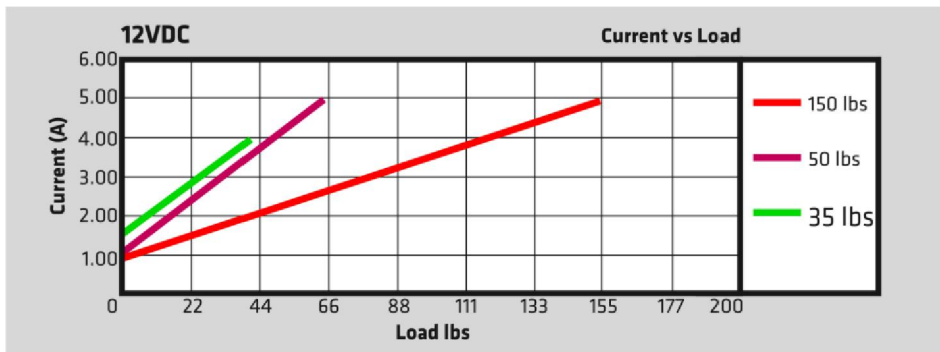
### WITH POTENTIOMETER



#### 12 VDC SPEED VS LOAD



#### 12 VDC CURRENT VS LOAD



#### SPEED IN INCHES PER SECOND

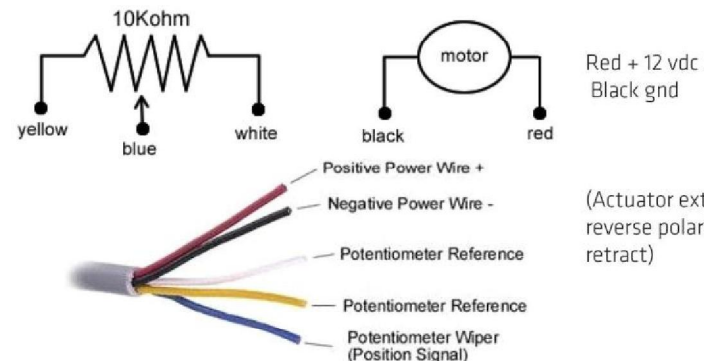
Forces (lbs)	No Load	Full Load
35	2.00	1.20
50	1.18	0.94
150	0.59	0.51

#### HOLE TO HOLE DIMENSIONS

Stroke Sizes (in inches)	PA-14P Model Actuator	
	Fully Retracted (in inches)	Fully Extended (in inches)
0	5.51	5.51
1	6.51	7.51
2	7.51	9.51
3	8.51	11.51
4	9.51	13.51
6	11.51	17.51
8	13.51	21.51
9	14.51	23.51
10	15.51	25.51
12	17.51	29.51
14	19.51	33.51
16	21.51	37.51
18	23.51	41.51
20	25.51	45.51
22	27.51	49.51
24	29.51	53.51
30	35.51	65.51
40	45.51	85.51

#### PRODUCT ACCESSORIES

#### POTENTIOMETER



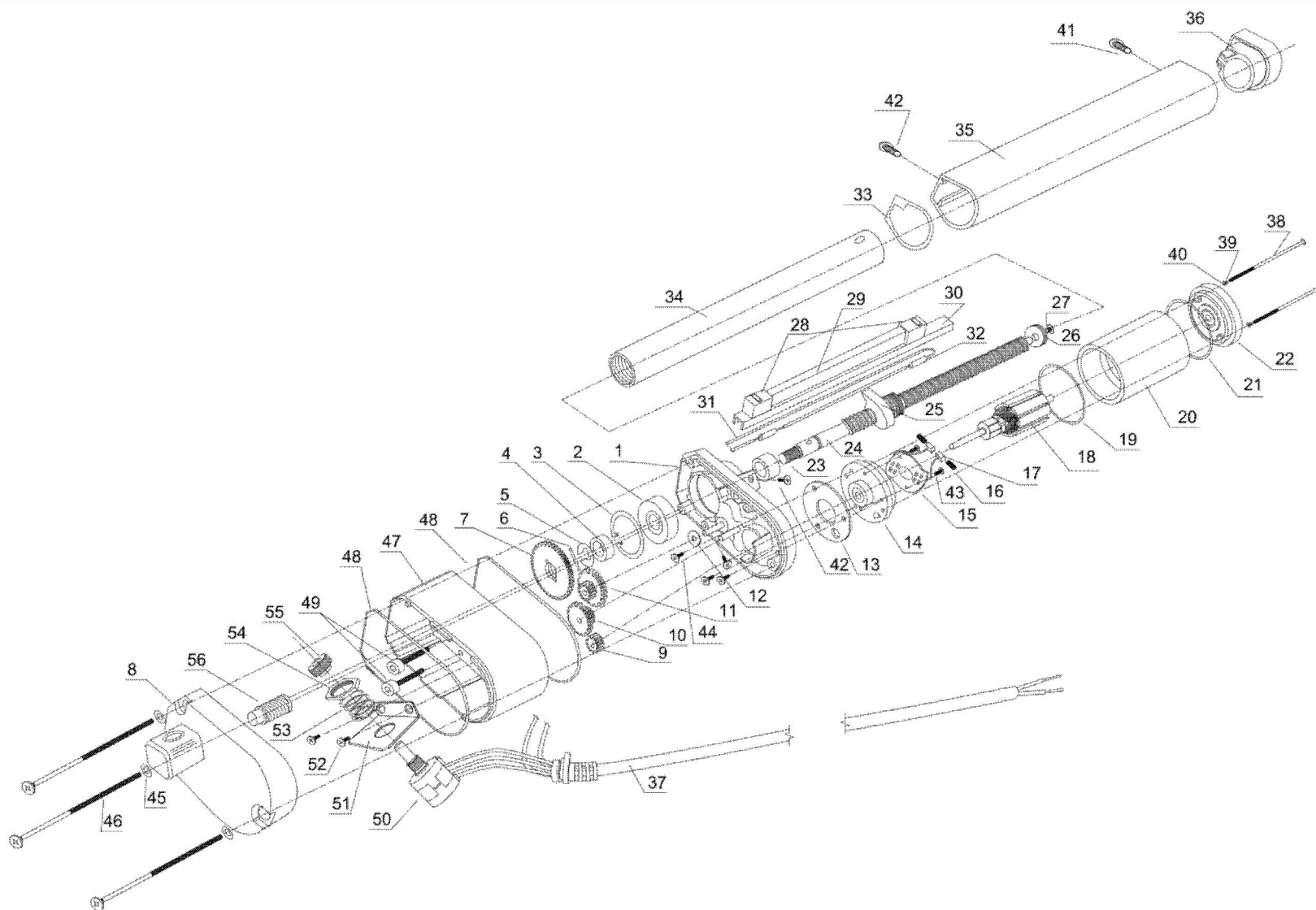
# D-24P

## LINEAR ACTUATOR

WITH POTENTIOMETER



### ACTUATOR INTERNALS



# D-24P

## LINEAR ACTUATOR

### WITH POTENTIOMETER



#### ACTUATOR ASSEMBLY EXPANDED VIEW PARTS DESCRIPTION

Item	Description	Qty
1	Actuator base	1
2	Shaft Bearing	1
3	Shaft Bearing Lock	1
4	Shaft Base Spacer	1
5	Shaft Base Spacer Lock	1
6	Shaft Gear Wheel Holder	1
7	Shaft Gear Wheel	1
8	Base Cover with Mounting Support	1
9	Electric Motor Gear Wheel	1
10	Small Intermediate Gear Wheel	1
11	Medium Intermediate Gear Wheel	1
12	Teflon Washer	1
13	Electric Motor Base Washer	1
14	Electric Motor Base	1
15	Brush Holder PCB	1
16	Electric Motor Brush	2
17	Electric Motor Brush Spring	2
18	Electric Motor Rotor	1
19	Motor Enclosure Bottom Washer	1

Item	Description	Qty
29	Limit Switches Spacer	1
30	Limit Switches Base	1
31	Limit Switches Wiring	1
32	Diode	2
33	Shaft Encloser Bottom Washer	1
34	Shaft with Mounting Hole	1
35	Shaft Encloser	1
36	Shaft Enclosure Top Cap	1
37	Power Cable	1
38	Motor Enclosure Screw	2
39	Motor Screw Spring Washer	2
40	Motor Screw Washer	2
41	Shaft Enclosure Top Cap Screw	1
42	Shaft Enclosure Base Screw	3
43	Brush Holder PCB Screw	2
44	Motor Base Screw	3
45	Base Cover Washer	3
46	Base Cover Screw	3
47	Base Extension	1



20	Electric Motor Encloser with Stator	1
21	Motor Enclosure Top Washer	1
22	Electric Motor Cap with Rotor Bearing	1
23	Shaft Spacer	1
24	Treaded Shaft Drive / Lead Screw	1
25	Shaft Base with Limit Switches Arm	1
26	Shaft Drive End Support	1
27	Shaft Drive End Support Screw	1
28	Limit Switch	2

48	Base Extension gasket	2
49	Base Extension Screw	2
50	Potentiometer	1
51	Potentiometer Bracket	1
52	Potentiometer Bracket Screw	2
53	Potentiometer Washer	3
54	Potentiometer Nut	1
55	Potentiometer Gear	1
56	Shaft Gear	1