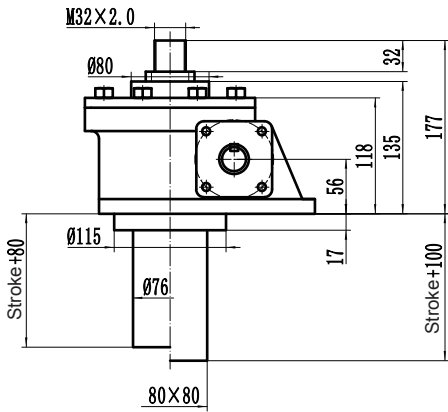
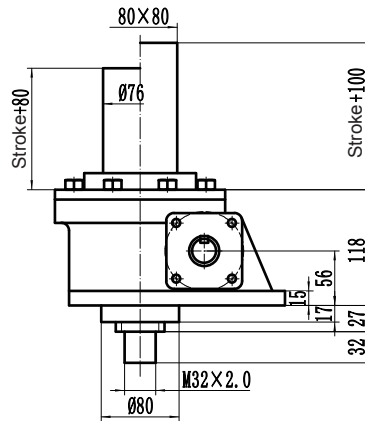


SJW-100 Machine Screw Jack

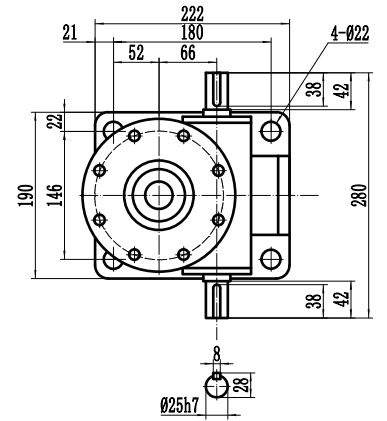
US, UK : Upright translating screw(Screw anti-rotation)



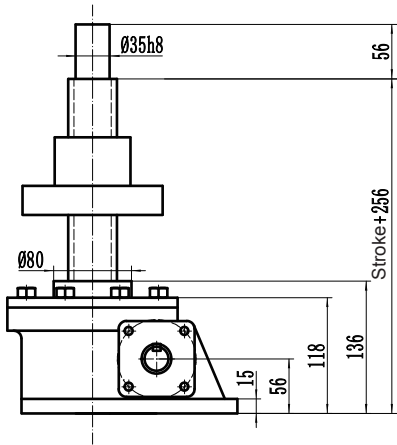
IS, IK : Inverted translating Screw(Screw anti-rotation)



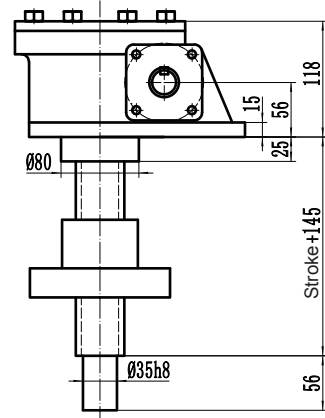
Mounting View



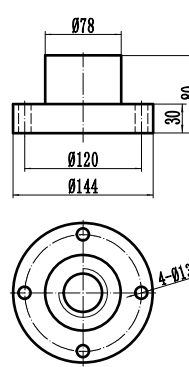
UR: Upright Rotating Screw



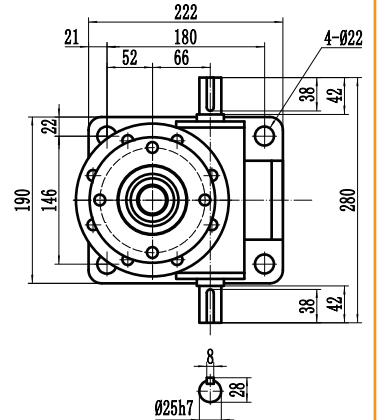
IR: Inverted Rotating Screw



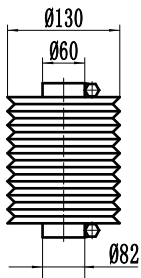
Copper Nut



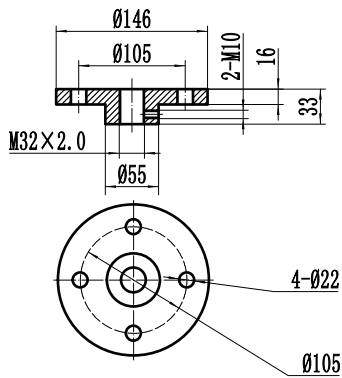
Mounting View



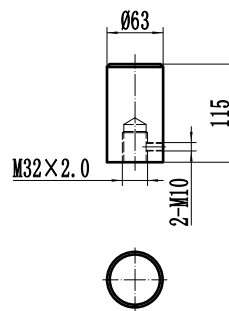
Dust Cover(Bellows)



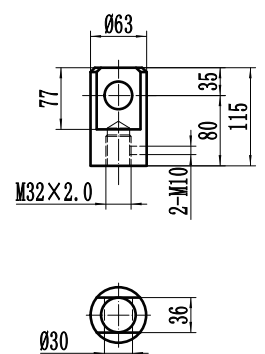
Top Plate



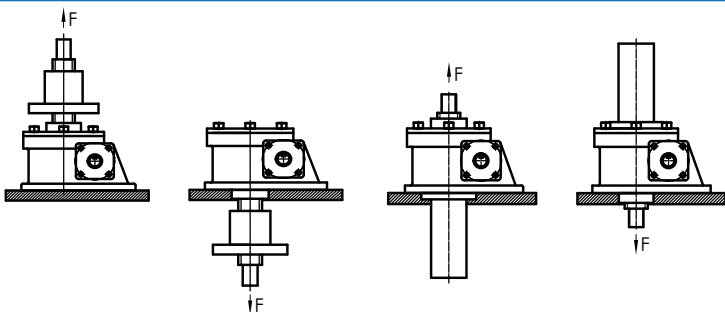
Plain End



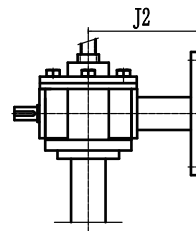
Clevis End



Installation diagram



Flange Input
Can be customized



| Motor base number | J2 |
|-------------------|-----|
| 80B5 | 185 |
| 90B5 | 195 |
| 100B5 | 205 |