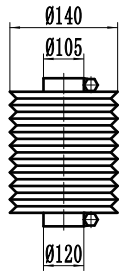
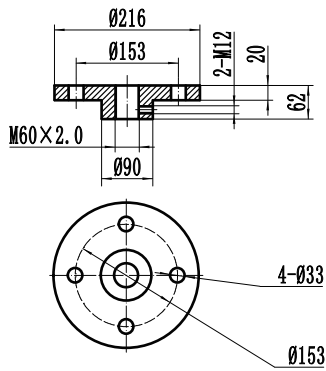


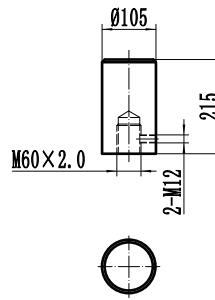
Dust Cover( Bellows)



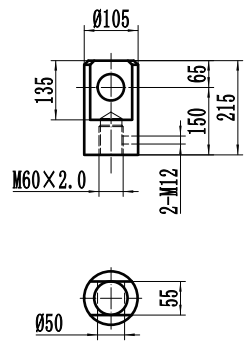
Top Plate



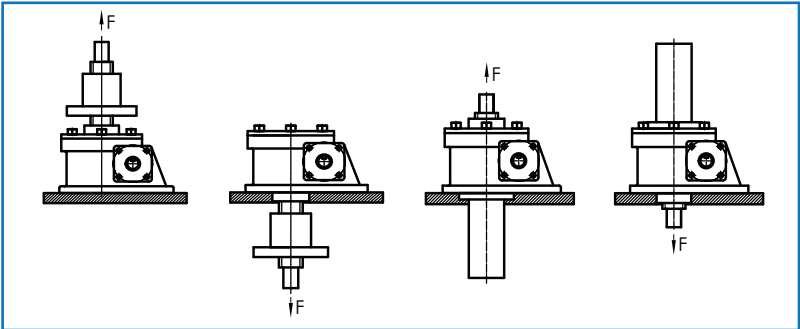
Plain End



Clevis End



Installation diagram



Flange Input  
Can be customized

Motor base number	J2
90B5	276
100B5	286
112B5	286