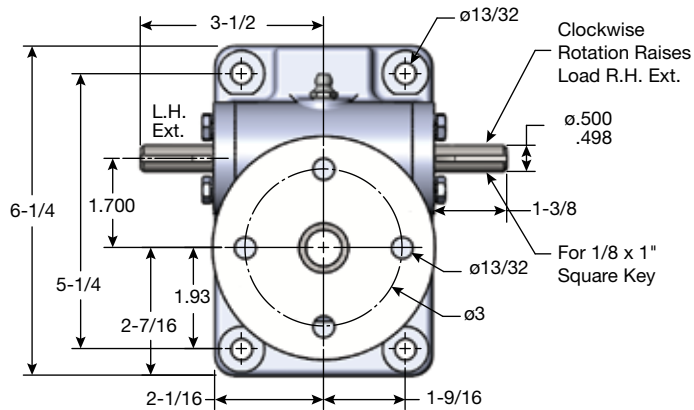
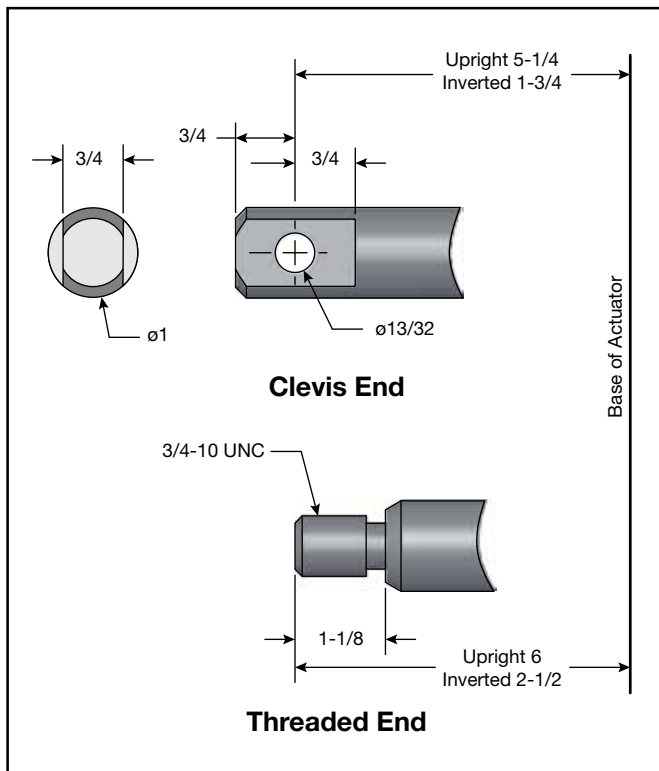


# MACHINE SCREW ACTUATORS

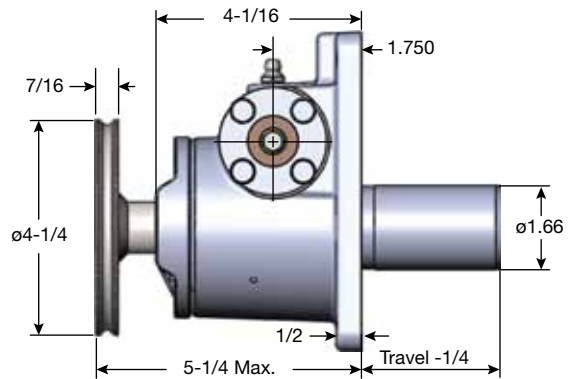
## 2 TON CAPACITY — 9000 SERIES



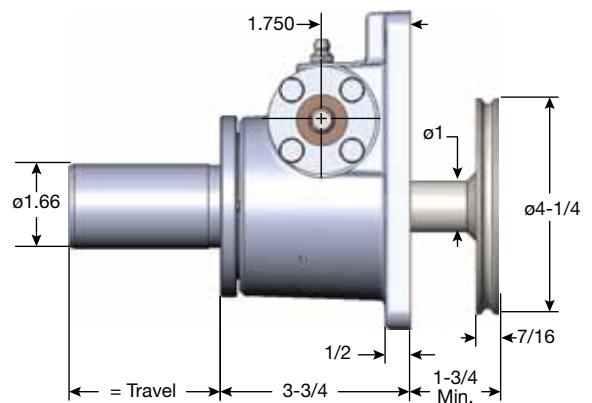
**1" Diameter x .250 Lead Lifting Screws**



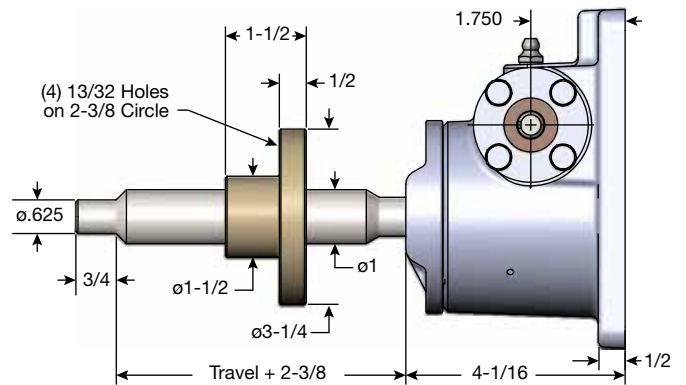
Note: Lifting screw is not keyed. Top should be secured to a lifting member to prevent rotation. When a Bellows Boot is required, see pages 148-149. Dimensions are subject to change without notice.



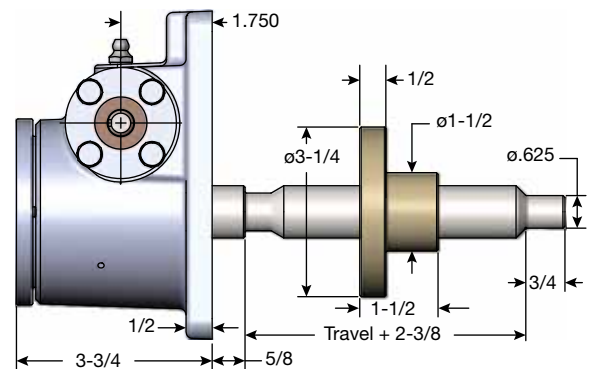
**Upright: M-9002**



**Inverted: M-9001**



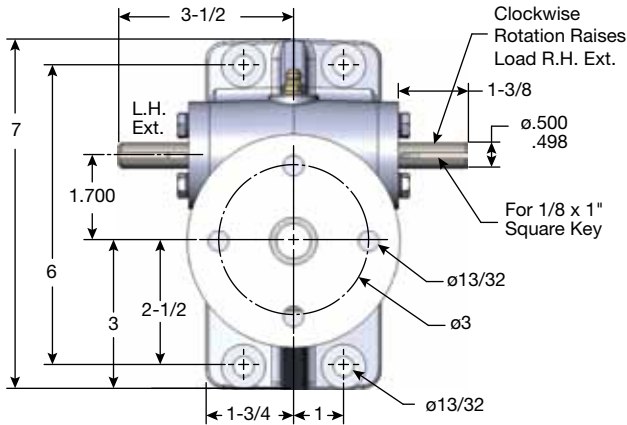
**Upright Rotating: UM-9003**



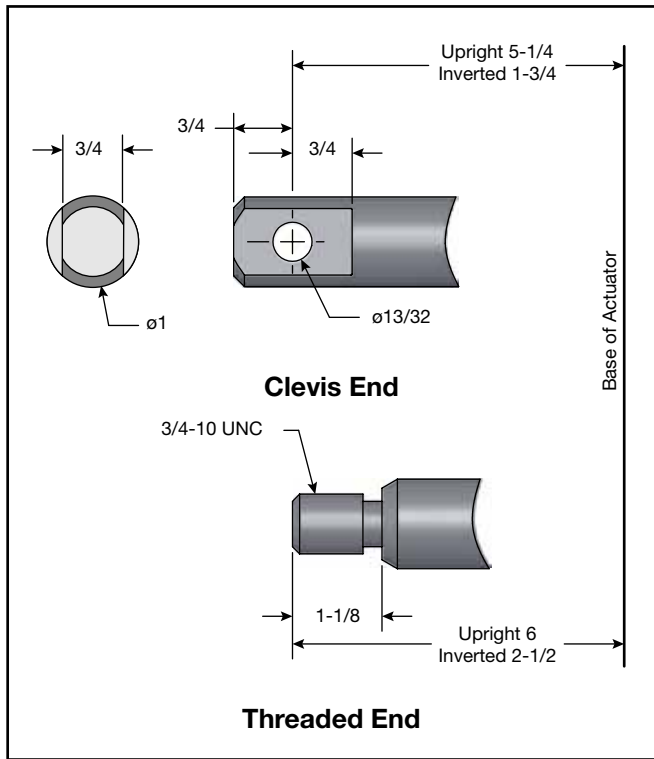
**Inverted Rotating: DM-9003**

# MACHINE SCREW ACTUATORS

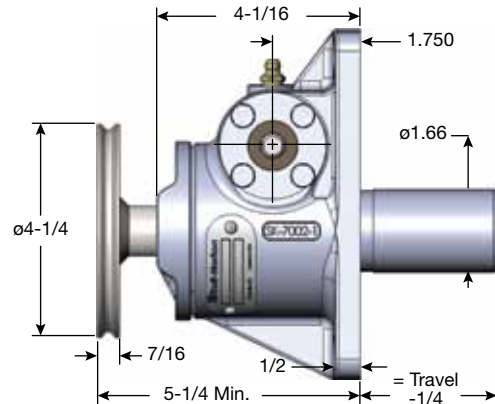
## 2 TON CAPACITY — 7000 SERIES



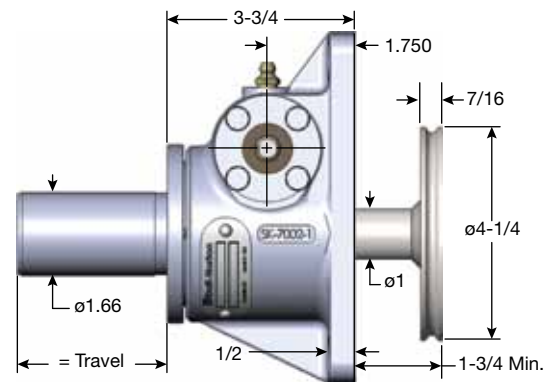
**1" Diameter x .250 Lead Lifting Screw**



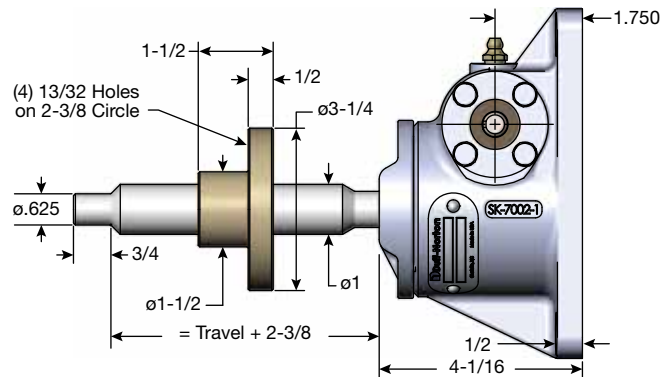
Note: Lifting screw is not keyed. Top should be secured to a lifting member to prevent rotation. When a Bellows Boot is required, see pages 148-149. Dimensions are subject to change without notice.



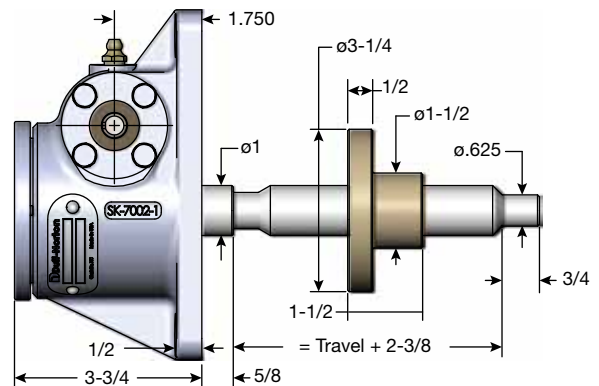
**Upright: M-7002**



**Inverted: M-7001**



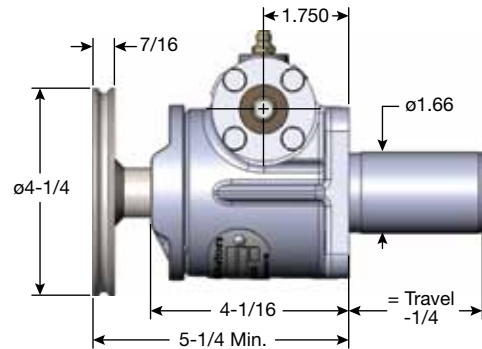
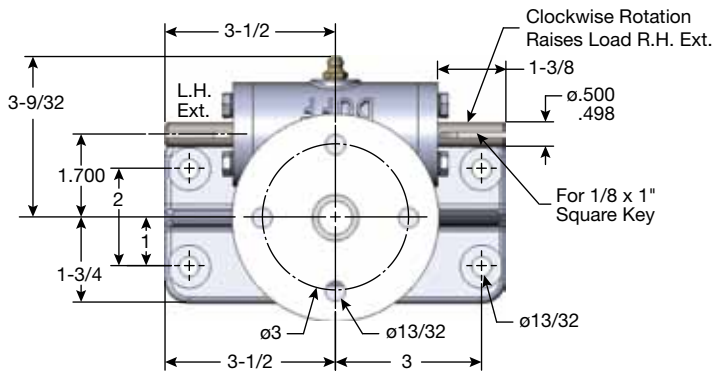
**Upright Rotating: UM-7003**



**Inverted Rotating: DM-7003**

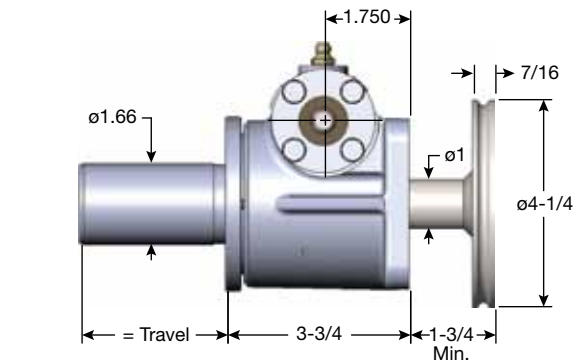
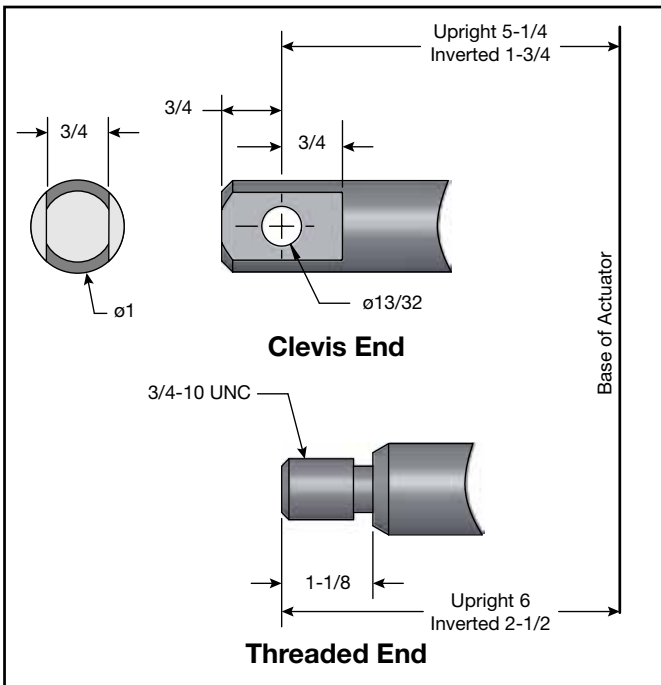
# MACHINE SCREW ACTUATORS

## 2 TON CAPACITY — 1800 SERIES

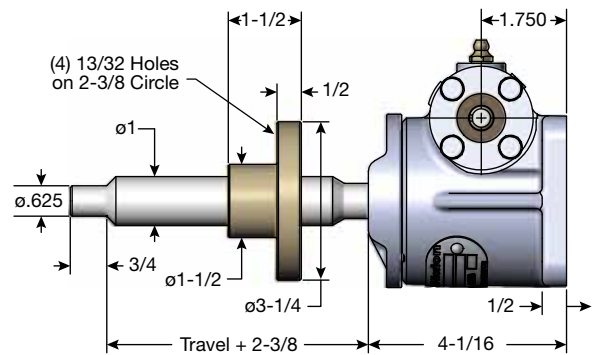


**Upright: M-1802**

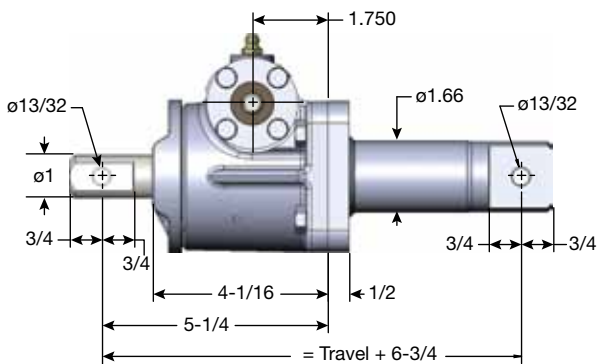
### 1" Diameter x .250 Lead Lifting Screws



**Inverted: M-1801**

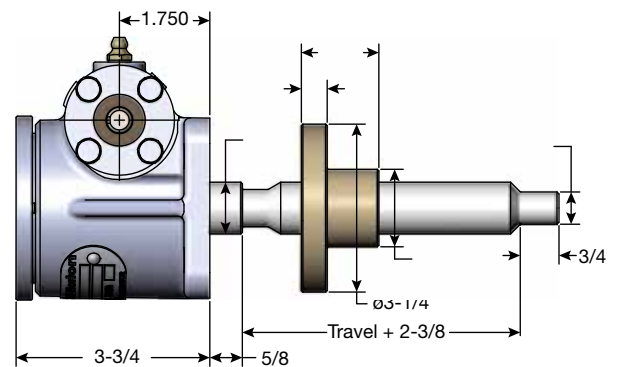


**Upright Rotating: UM-1803**



**Double Clevis: CCM-1802**

Maximum Allowable Raise in Compression 14" - Rating 3000 Lbs.  
Maximum Raise at Rated Load in Compression 12"



**Inverted Rotating: DM-1803**

Note: Lifting screw is not keyed. Top should be secured to a lifting member to prevent rotation. When a Bellows Boot is required, see pages 148-149. Dimensions are subject to change without notice.