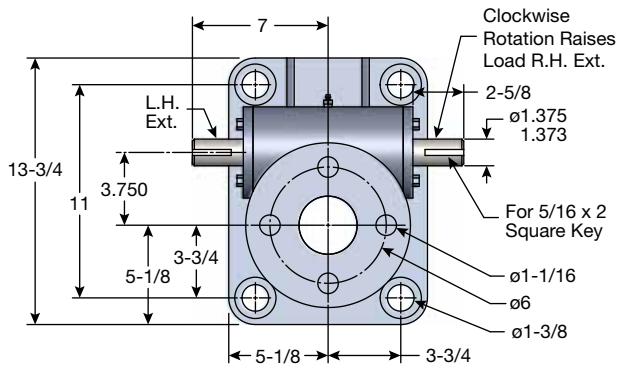
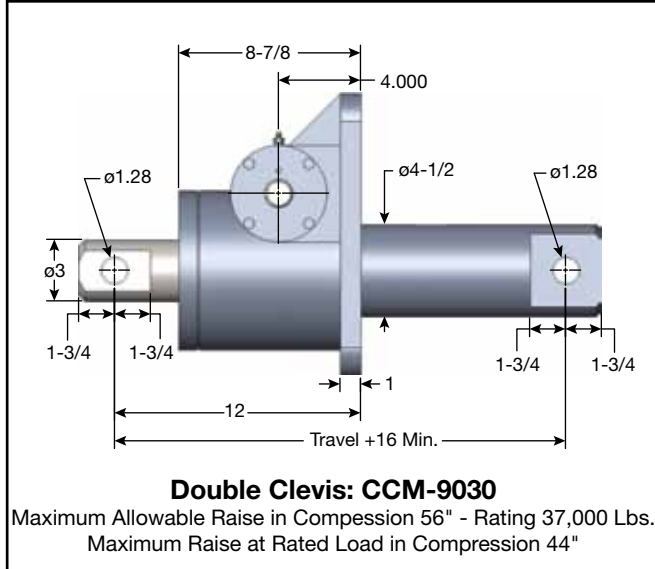
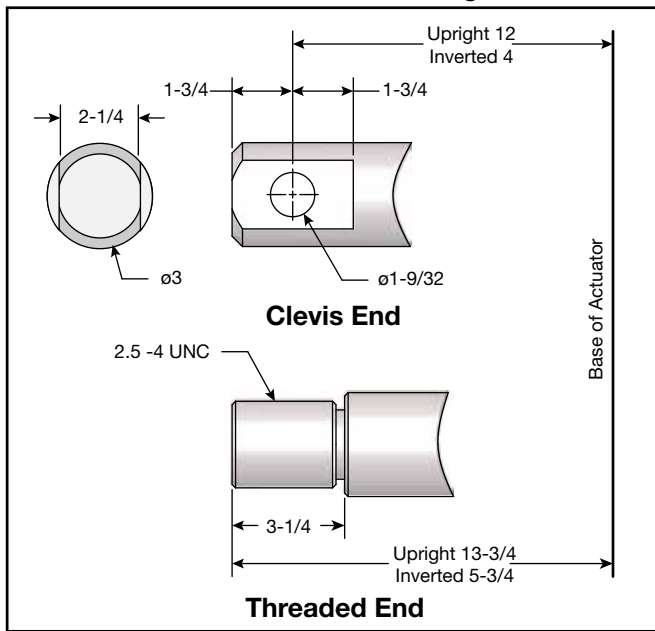


# MACHINE SCREW ACTUATORS

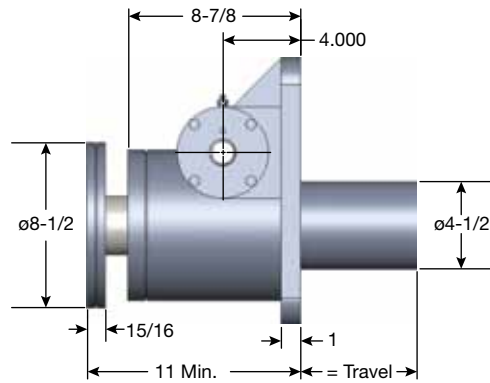
## 30 TON CAPACITY



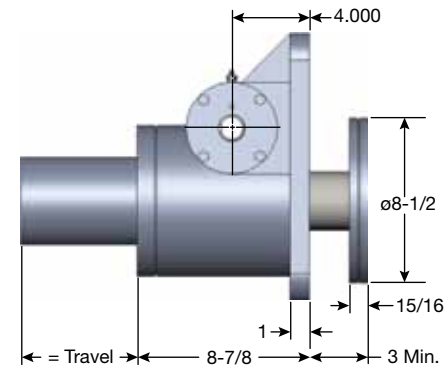
**3" Diameter x .666 Lead Lifting Screws**



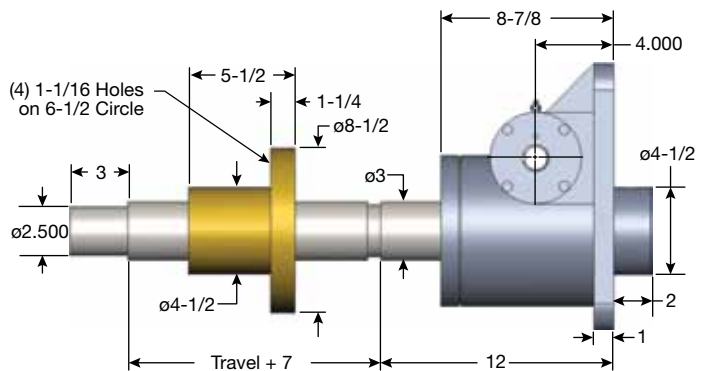
Note: Lifting screw is not keyed. Top should be secured to a lifting member to prevent rotation. When a Bellows Boot is required, see pages 148-149. Dimensions are subject to change without notice.



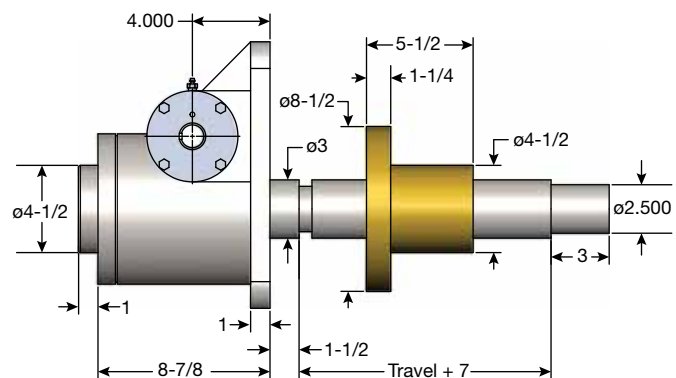
**Upright: M-9030**



**Inverted: M-9029**



**Upright Rotating: UM-9031**



**Inverted Rotating: DM-9031**