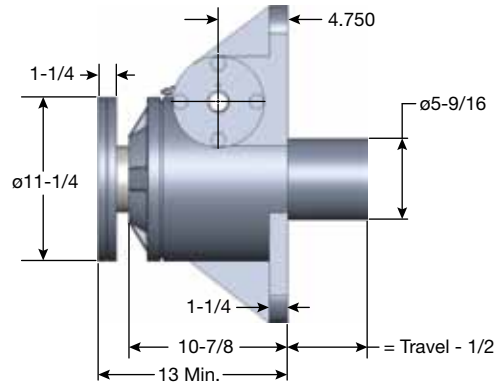
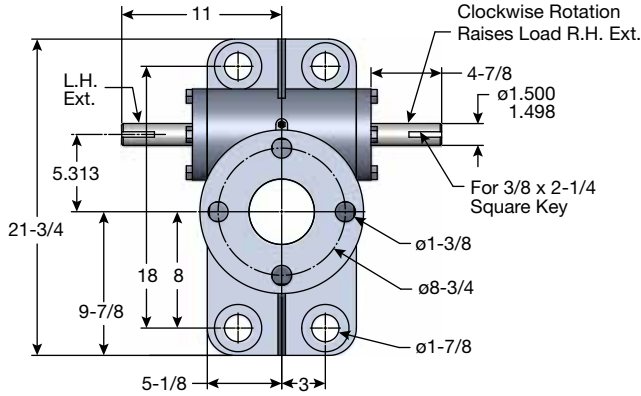


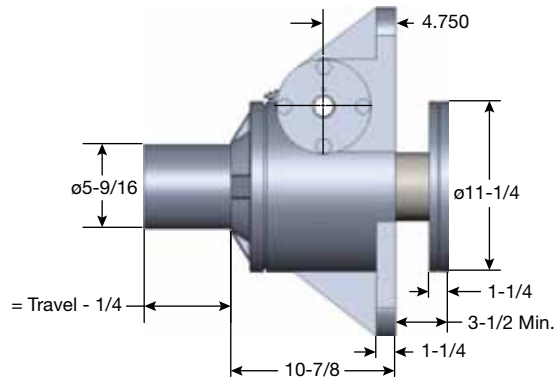
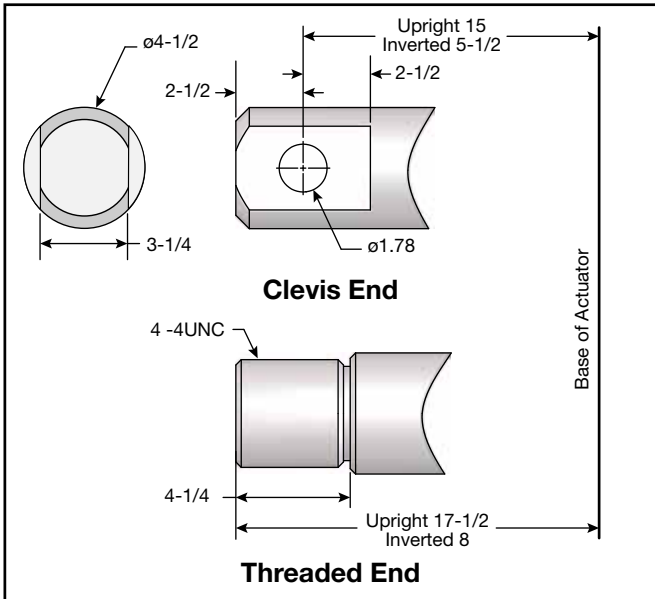
MACHINE SCREW ACTUATORS

50 TON CAPACITY — 9000 Series

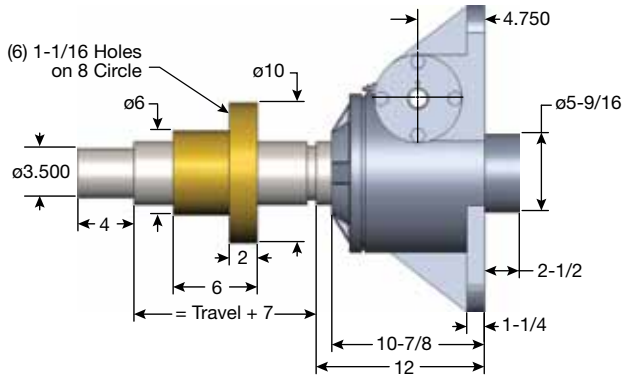


Upright: M-9050

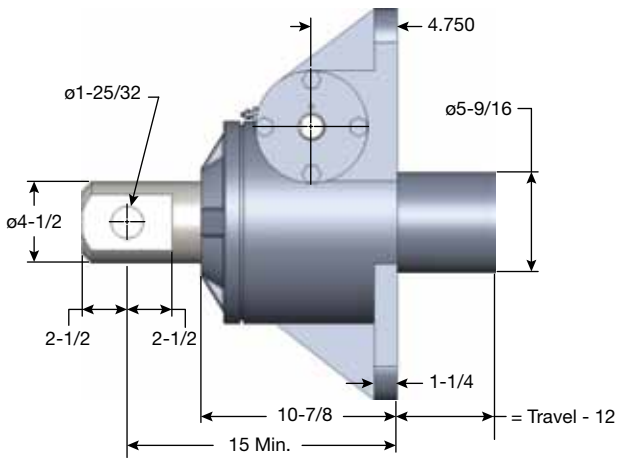
4-1/2" Diameter x .666 Lead Lifting Screws



Inverted: M-9049

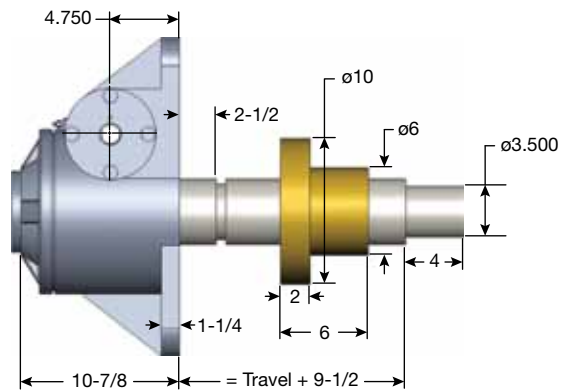


Upright Rotating: UM-9051



Double Clevis: CCM-9050

Maximum Allowable Raise in Compression 93" - Rating 94,000 Lbs.
Maximum Raise at Rated Load in Compression 90"

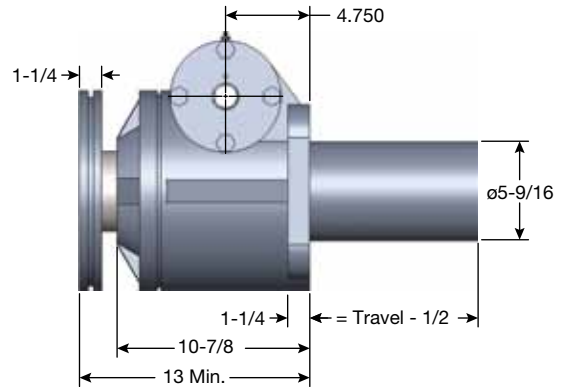
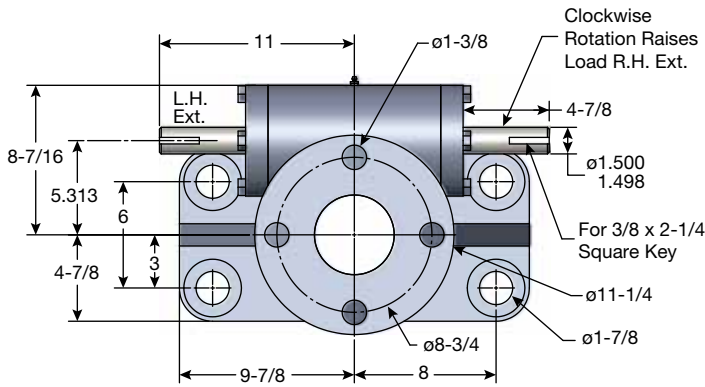


Inverted Rotating: DM-9051

Note: Lifting screw is not keyed. Top should be secured to a lifting member to prevent rotation. When a Bellows Boot is required, see pages 148-149. Dimensions are subject to change without notice.

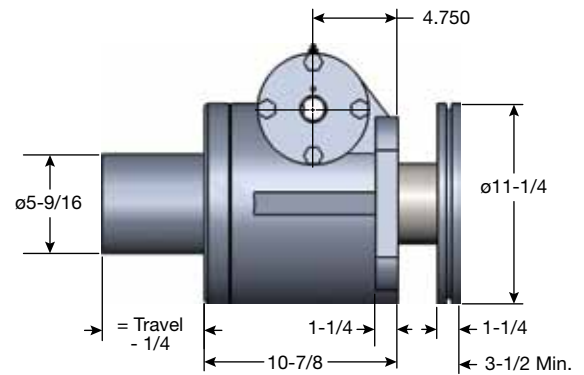
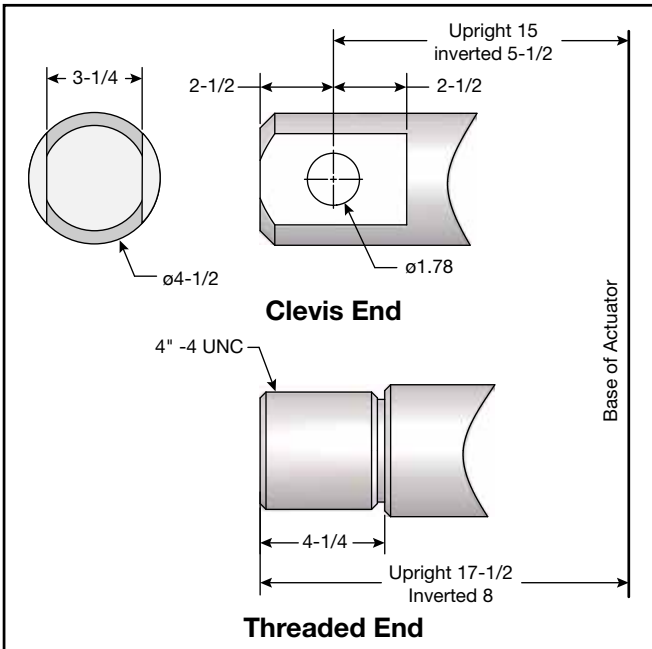
MACHINE SCREW ACTUATORS

50 TON CAPACITY — 1800 Series

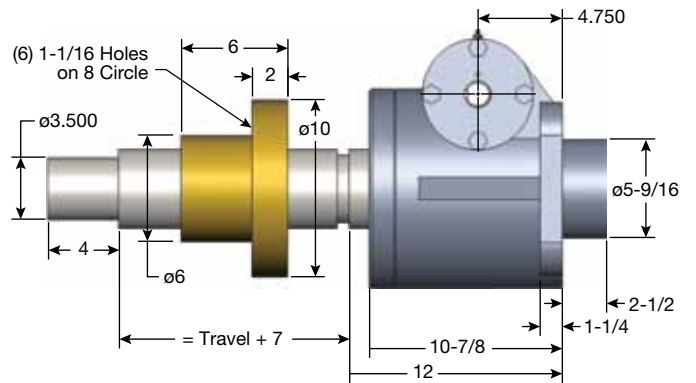


Upright: M-1850

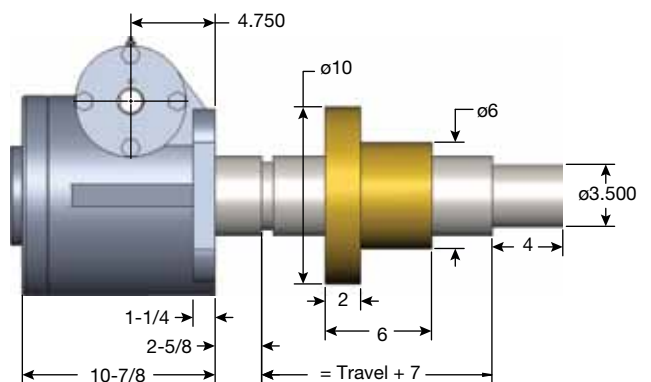
4-1/2" Diameter x .666 Lead Lifting Screws



Inverted: M-1849



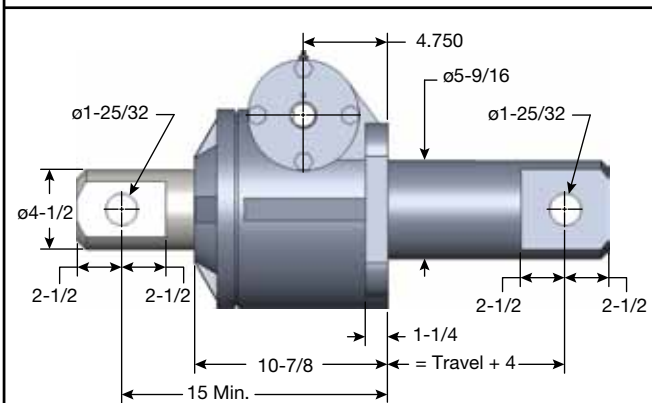
Upright Rotating: UM-1851



Inverted Rotating: DM-1851

Double Clevis: CCM-1850

Maximum Allowable Raise in Compression 93° - Rating 94,000 Lbs.
Maximum Raise at Rated Load in Compression 90°



Note: Lifting screw is not keyed. Top should be secured to a lifting member to prevent rotation. When a Bellows Boot is required, see pages 148-149. Dimensions are subject to change without notice.