

1

2

3

4

A

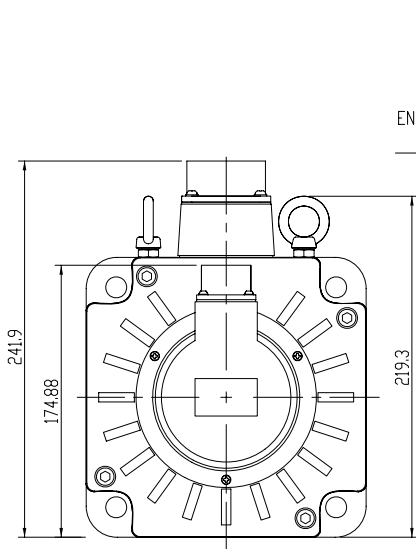
A

B

B

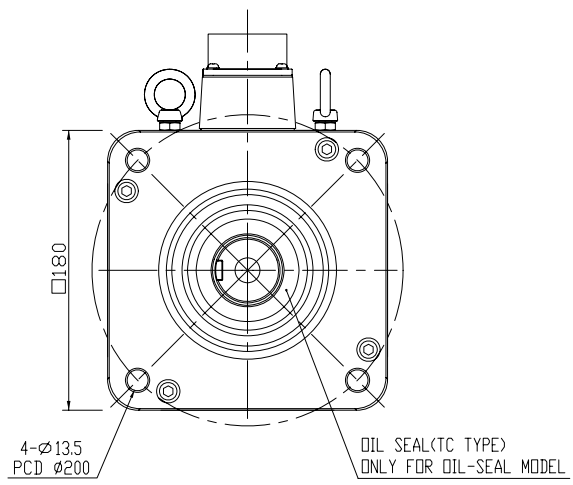
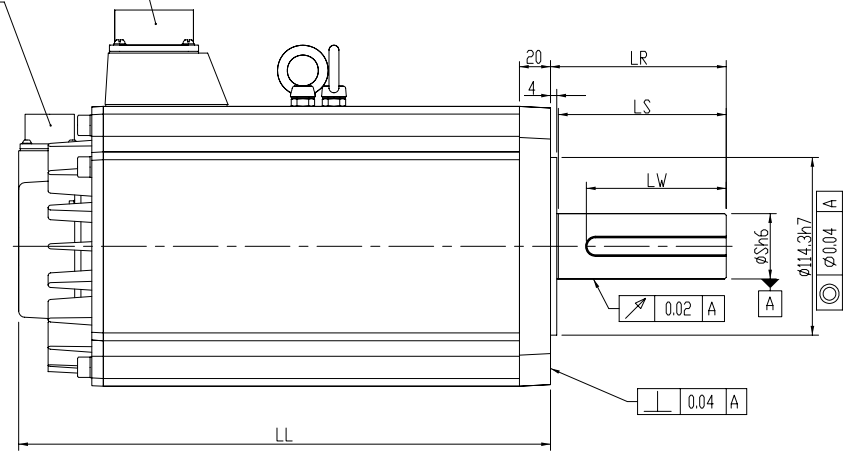
C

C



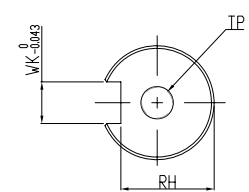
MOTOR CONNECTOR
MS3102A32-17P

ENCODER CONNECTOR
MS3102A20-29P

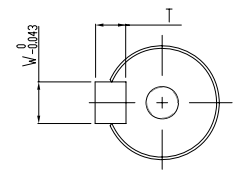


DIMENSION TABLE (MODEL WITHOUT BRAKE)

MODEL	LL	LR	LS	S	LW	WK	W	T	RH	TP
ECMA-F□1855A3	279.7	113	108.5	42	---	---	---	---	---	M16, Depth 32
ECMA-F□1855C3					90	12	12	8	37	
ECMA-F□1855P3	342	---	---	---	---	---				
ECMA-F□1875A3		90	12	12	8	37				
ECMA-F□1875C3		---	---	---	---	---				
ECMA-F□1855P3	---	---	---	---	---	---				



SHAFT END DETAILS



KEY DETAILS

台達電子工業股份有限公司 DELTA ELECTRONICS, INC.	DRAWN:	DESIGN:
	DATE:	ECN NO.:
THESE DRAWINGS AND SPECIFICATIONS ARE THE PROPERTY OF DELTA ELECTRONICS, INC. AND SHALL NOT BE REPRODUCED OR USED AS THE BASIS FOR THE MANUFACTURE OR SELL OF APPARATUS OR DEVICES WITHOUT PERMISSION.	DIMENSIONAL TOLERANCES () () () ANGLES DECIMALS 0~4 +0.05 <50 +0.1 <50 +0.5 <30° ±0.1° X ±0.3 4~16 +0.08 >50~100 ±0.15 >50~100 ±1.0 >30°~60° ±0.3° X.X ±0.2 16~63 +0.12 >100~200 ±0.2 >100~200 ±1.5 >60°~90° ±0.5° X.XX ±0.1 63~200 ±0.2 >200~ ±0.2% >200~ ±0.3%	
	DRAWING NAME: MOTOR_F180_5.5~7.5KW	A3 SIZE THIRD ANGLE PROJECTION
USED ON	UNIT mm	SCALE SHEET 1 OF 1

1

2

3

4