

1

2

3

4

A

A

B

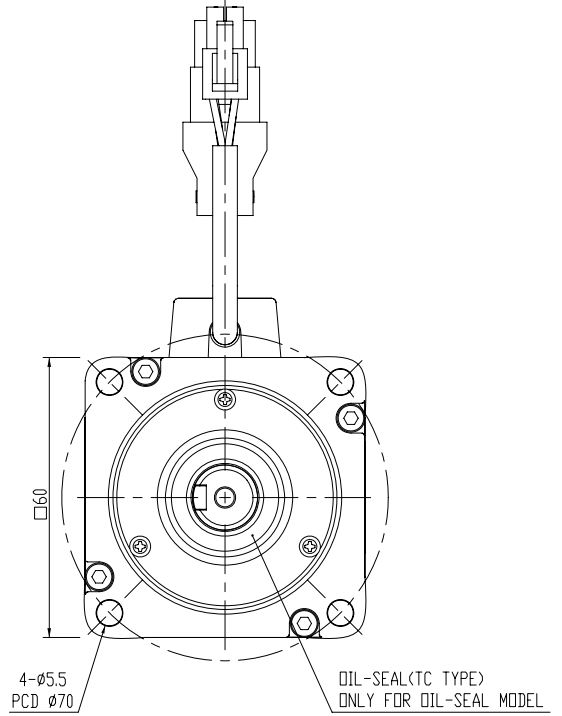
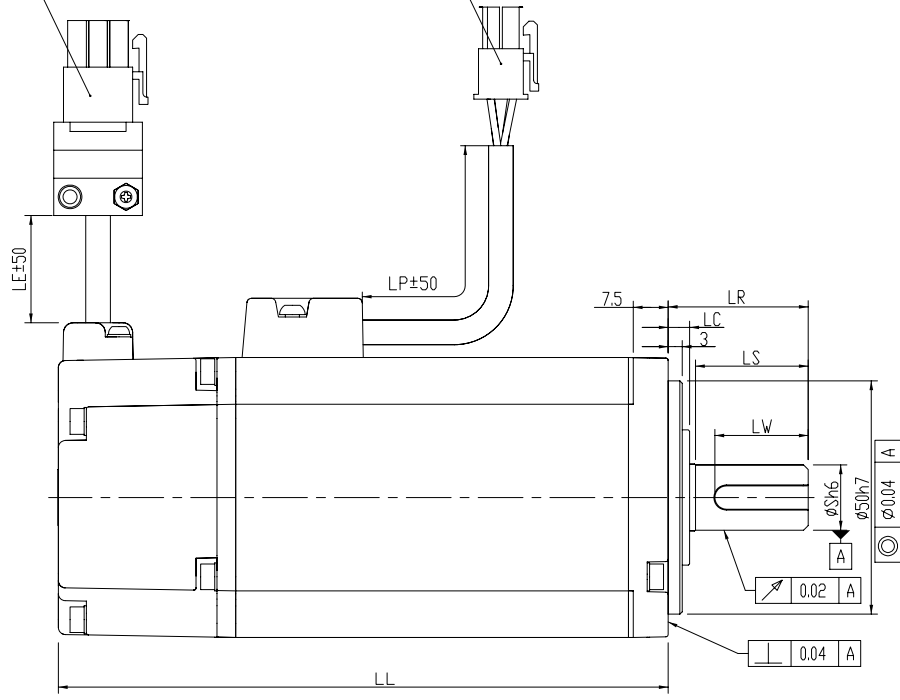
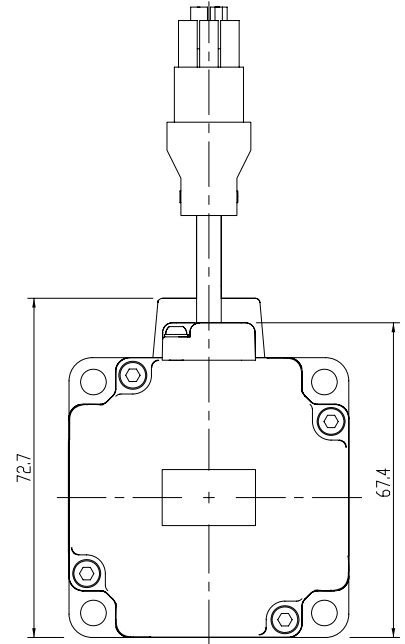
B

C

C

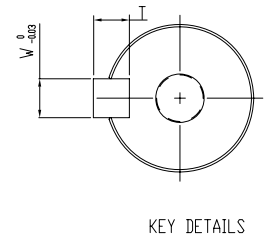
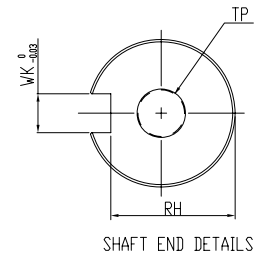
ENCODER CONNECTOR  
AMP 1-172169-9

MOTOR CONNECTOR  
C4202H00-2X2P



DIMENSION TABLE (MODEL WITHOUT BRAKE)

MODEL	LL	LR	LS	LC	S	LW	WK	W	T	RH	TP	LP	LE
ECMA-C□0602AS	105.5	30	27.0	—	14	—	—	—	—	—	M4, Depth 15	300	300
ECMA-C□0602CS			27.0	4.6							—		
ECMA-C□0602ES			27.0	—							—		
ECMA-C□0602GS	130.7	30	24.0	4.6	14	20	5	5	5	11.0	—	300	300
ECMA-C□0604AS			27.0	—							—		
ECMA-C□0604CS			24.0	4.6							—		
ECMA-C□0604ES			27.0	—							—		
ECMA-C□0604GS	130.7	30	24.0	4.6	14	20	5	5	5	11.0	—	300	300
ECMA-C□0604PS			27.0	—							—		



台達電子工業股份有限公司 DELTA ELECTRONICS, INC.	DRAWN:	DESIGN:
	DATE:	ECN NO.:
THESE DRAWINGS AND SPECIFICATIONS ARE THE PROPERTY OF DELTA ELECTRONICS, INC. AND SHALL NOT BE REPRODUCED OR USED AS THE BASIS FOR THE MANUFACTURE OR SELL OF APPARATUS OR DEVICES WITHOUT PERMISSION.	DIMENSIONAL TOLERANCES ( ) ( ) ( ) ANGLES DECIMALS 0-4 ±0.05 <50 ±0.1 <50 ±0.5 <30° ±0.1° X ±0.3 4-16 ±0.08 >50-100 ±0.15 >50-100 ±1.0 >30° ±0.3° X.X ±0.2 16-63 ±0.12 >100-200 ±0.2 >100-200 ±1.5 >60° ±0.5° X.XX ±0.1 63-200 ±0.2 >200 ±0.2 >200 ±0.3°	
DRAWING NAME: MOTOR_F60	A3 SIZE THIRD ANGLE PROJECTION	PART NO.:
USED ON	UNIT mm	SHEET 1 OF 1

1

2

3

4