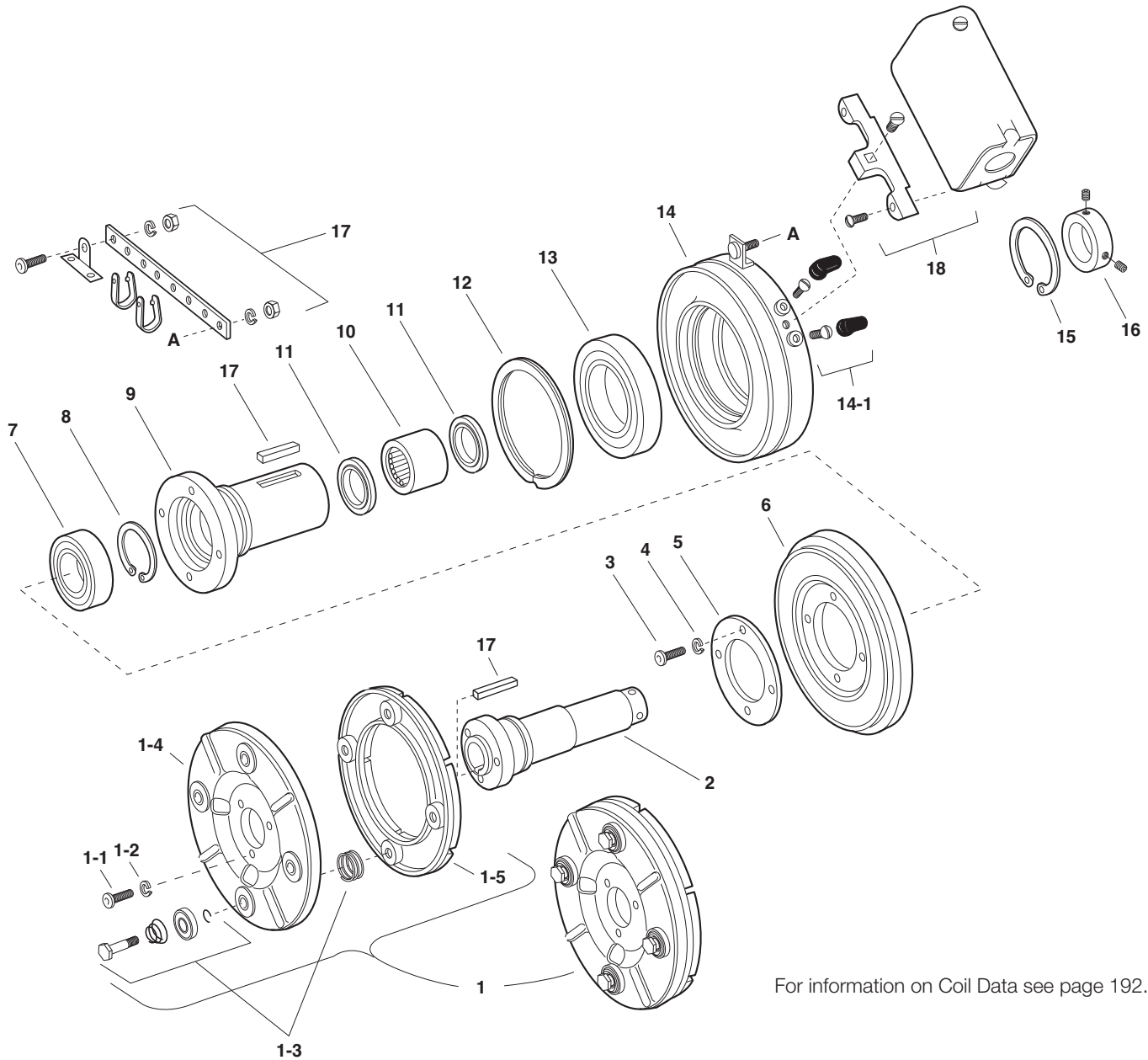


# EC Series Electro Clutch

EC-375, EC-475, EC-650



For information on Coil Data see page 192.

## Electrical and Mechanical Data

Model Size	Voltage DC	Static Torque (lb. ft.)	Max. Speed RPM	Armature & Carrier	Inertia-WR <sup>2</sup> (lb. ft <sup>2</sup> )			Total Inner Sleeve	Weight lbs.
					Rotor	Outer Sleeve			
EC-375	6	16 lb. ft.	5000	.010	.018	.001	.001	4	
	24	16 lb. ft.	5000	.010	.018	.001	.001	4	
	90	16 lb. ft.	5000	.010	.018	.001	.001	4	
EC-475	6	30 lb. ft.	4500	.072	.033	.006	.002	8	
	24	30 lb. ft.	4500	.072	.033	.006	.002	8	
	90	30 lb. ft.	4500	.072	.033	.006	.002	8	
EC-650	6	95 lb. ft.	3600	.106	.202	.010	.013	18	
	24	95 lb. ft.	3600	.106	.202	.010	.013	18	
	90	95 lb. ft.	3600	.106	.202	.010	.013	18	

## Service Parts

## Component Parts

Item	Description	EC-375		EC-475		EC-650	
		Part No.	Qty.	Part No.	Qty.	Part No.	Qty.
1	Armature & Carrier Assembly	5380-101-006	1	5181-101-003	1	5281-101-003	1
	1-1 Capscrew	797-1214	3	797-1214	3	797-0086	3
	1-2 Lockwasher	950-0102	3	950-0102	3	950-0102	3
	1-3 Autogap Accessory	5180-101-011	3	5181-101-010	4	5181-101-010	4
	1-4 Carrier	5380-295-002	1	5181-295-002	1	5281-295-002	1
	1-5 Armature	5180-111-002	1	5181-111-002	1	5281-111-002	1
2	Inner Sleeve		1		1		1
	1/2" Bore	803-0054					
	5/8" Bore	803-0055		803-1007			
	3/4" Bore			803-1005			
	7/8" Bore			803-1006			
	1" Bore					803-0047	
	1-1/8" Bore					803-0049	
	1-1/4" Bore					803-0048	
1-3/8" Bore					803-0050		
3	Screw	797-1050	6	797-1039	4	797-0083	4
4	Lockwasher	950-0105	6	950-0102	4	950-0103	4
5	Retainer Plate	748-0391	1	748-0393	1	748-0389	1
6	Rotor	5180-751-001	1	5181-751-003	1	5281-751-001	1
7	Ball Bearing	166-0149	1	166-2016	2	166-0110	1
8	Retainer ring	748-0017	1	748-0023	2	748-0002	1
9	Outer Sleeve	5180-104-001	1	803-1003	1	5281-104-001	1
10	Sleeve Bearing	166-0177	1	166-0179	1	166-0178	1
11	Oil Seal	795-0027	2	795-0028	2	795-0026	2
12	Retainer Ring	748-0101	1	748-0102	1	748-0104	1
13	Ball Bearing	166-0150	1	166-0110	1	166-0104	1
14	Field		1		1		1
	6 volt	5180-451-002		5181-451-002		5281-451-002	
	24 volt	5180-451-004		5181-451-004		5281-451-004	
	90 volt	5180-451-005		5181-451-005		5281-451-005	
14-1 Terminal Accessory	5103-101-002	1	5103-101-002	1	5311-101-001	1	
15	Retainer Ring	748-0018	1	748-0002	1	748-0004	1
16	Set Collar	266-0011	1	266-0012	1	266-0010	1
17	Accessory, W/Keys		1		1		1
	1/2" Bore	5180-101-001					
	5/8" Bore	5180-101-001		5181-101-001			
	3/4" Bore			5181-101-001			
	7/8" Bore			5181-101-002			
	1" Bore					5281-101-001	
	1-1/8" Bore					5281-101-001	
1-1/4" Bore					5281-101-001		
1-3/8" Bore					5281-101-002		
18	Conduit Box	5200-101-010	1	5200-101-010	1	5200-101-010	1

These units when used with the correct Warner Electric conduit box, meets the standards of UL508 and are listed under guide care #NMTR, file #59164.  
Refer to Service Manual P-210.

Note: For EC-475 built prior to 2005, contact Warner Electric for service parts.



## Service Parts