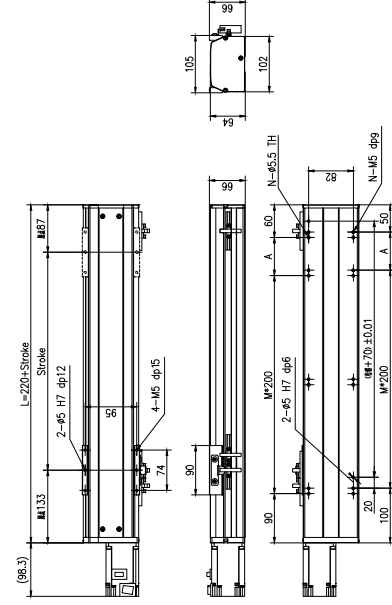


YSO100-1P-MS

Straight Motor Mounting

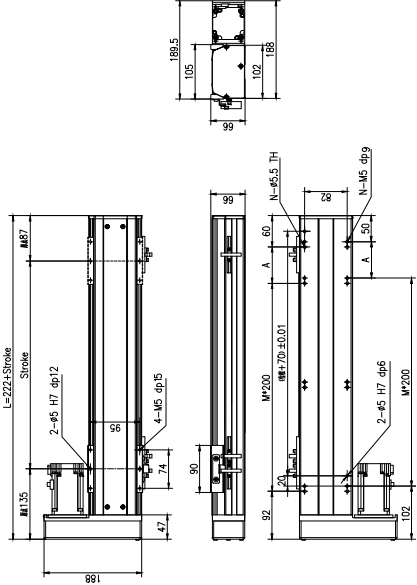


行程 Stroke (mm)	100	150	200	250	300	350	400	450	500	550	600	650	700	750	800	850	900	950	1000	1050
L	320	370	420	470	520	570	620	670	720	770	820	870	920	970	1020	1070	1120	1170	1220	1270
A	170	20	70	120	170	20	70	120	170	20	70	120	170	20	70	120	170	20	70	120
M	0	1	1	1	2	2	2	2	3	3	3	3	3	3	4	4	4	4	5	5
N	4	6	6	6	6	6	6	6	8	8	8	8	8	8	10	10	10	10	11	11
N	3.2	3.6	4.0	4.4	4.7	5.1	5.5	5.8	6.2	6.6	6.9	7.3	7.7	8.1	8.4	8.8	9.2	9.5	9.9	10.3
重量 Weight (kg)																				
Pitch 20	800																			
Pitch 16	1000																			
Pitch 10	250																			
Pitch 05	500																			
Max speed (mm/sec)	400																			
	500																			
	640																			
	800																			
	950																			
	1125																			

#Note: When the stroke is more than 700mm, the resonance phenomenon could come into being. So please refer to speed sheet on the drawing.

YSO100-1P-ML

Left Motor Mounting

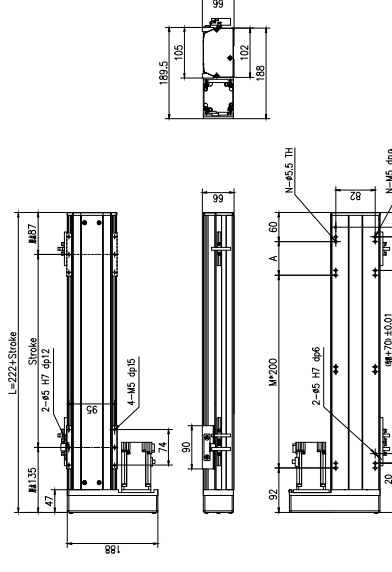


行程 Stroke (mm)	100	150	200	250	300	350	400	450	500	550	600	650	700	750	800	850	900	950	1000	1050
L	322	372	422	472	522	572	622	672	722	772	822	872	922	972	1022	1072	1122	1172	1222	1272
A	170	20	70	120	170	20	70	120	170	20	70	120	170	20	70	120	170	20	70	120
M	0	1	1	1	2	2	2	2	3	3	3	3	3	3	4	4	4	4	5	5
N	4	6	6	6	6	6	6	6	8	8	8	8	8	8	10	10	10	10	11	11
N	3.2	3.6	4.0	4.4	4.7	5.1	5.5	5.8	6.2	6.6	6.9	7.3	7.7	8.1	8.4	8.8	9.2	9.5	9.9	10.3
重量 Weight (kg)																				
Pitch 20	800																			
Pitch 16	1000																			
Pitch 10	250																			
Pitch 05	500																			
Max speed (mm/sec)	400																			
	500																			
	640																			
	800																			
	950																			
	1125																			

#Note: When the stroke is more than 700mm, the resonance phenomenon could come into being. So please refer to speed sheet on the drawing.

YSO100-1P-MR

Right Motor Mounting

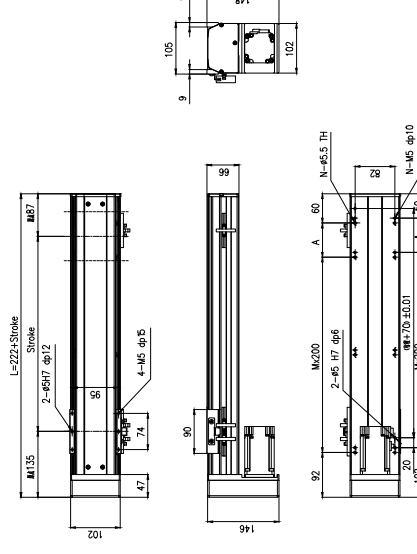


行程 Stroke (mm)	100	150	200	250	300	350	400	450	500	550	600	650	700	750	800	850	900	950	1000	1050
L	322	372	422	472	522	572	622	672	722	772	822	872	922	972	1022	1072	1122	1172	1222	1272
A	170	20	70	120	170	20	70	120	170	20	70	120	170	20	70	120	170	20	70	120
M	0	1	1	1	2	2	2	2	3	3	3	3	3	3	4	4	4	4	5	5
N	4	6	6	6	6	6	6	6	8	8	8	8	8	10	10	10	10	10	11	11
N	3.2	3.6	4.1	4.5	4.9	5.2	5.6	6.0	6.3	6.7	7.1	7.4	7.8	8.2	8.6	8.9	9.3	9.7	10.0	10.4
重量 Weight (kg)																				
Pitch 20	800																			
Pitch 16	1000																			
Pitch 10	250																			
Pitch 05	500																			
Max speed (mm/sec)	400																			
	500																			
	640																			
	800																			
	950																			
	1125																			

#Note: When the stroke is more than 700mm, the resonance phenomenon could come into being. So please refer to speed sheet on the drawing.

YSO100-1P-MD

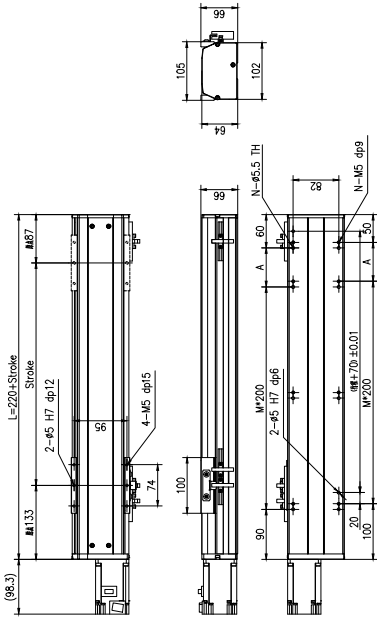
Down Motor Mounting



行程 Stroke (mm)	100	150	200	250	300	350	400	450	500	550	600	650	700	750	800	850	900	950	1000	1050
L	322	372	422	472	522	572	622	672	722	772	822	872	922	972	1022	1072	1122	1172	1222	1272
A	170	20	70	120	170	20	70	120	170	20	70	120	170	20	70	120	170	20	70	120
M	0	1	1	1	2	2	2	2	3	3	3	3	3	3	4	4	4	4	5	5
N	4	6	6	6	6	6	6	6	8	8	8	8	8	10	10	10	10	10	11	11
N	3.2	3.6	4.1	4.5	4.9	5.2	5.6	6.0	6.3	6.7	7.1	7.4	7.8	8.2	8.6	8.9	9.3	9.7	10.0	10.4
重量 Weight (kg)																				
Pitch 20	800																			
Pitch 16	1000																			
Pitch 10	250																			
Pitch 05	500																			
Max speed (mm/sec)	400																			
	500																			
	640																			
	800																			
	950																			
	1125																			

#Note: When the stroke is more than 700mm, the resonance phenomenon could come into being. So please refer to speed sheet on the drawing.

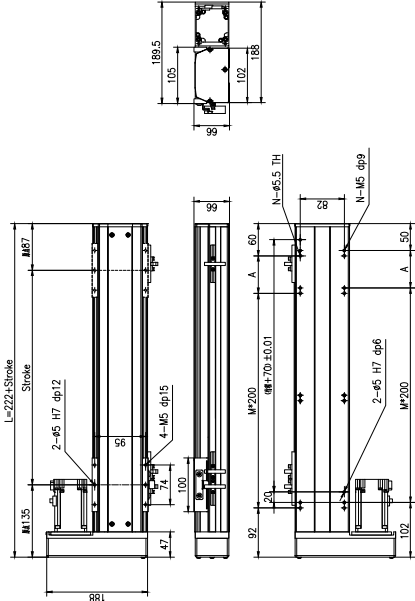
YSO100-2P-MS Straight Motor Mounting



行程 Stroke (mm)	100	150	200	250	300	350	400	450	500	550	600	650	700	750	800	850	900	950	1000	1050
L	322	372	422	472	522	572	622	672	722	772	822	872	922	972	1022	1072	1122	1172	1222	1272
A	170	20	70	120	170	20	70	120	170	20	70	120	170	20	70	120	170	20	70	120
M	0	1	1	1	2	2	2	3	3	3	3	3	3	4	4	4	4	4	5	5
N	4	6	6	6	6	8	8	8	10	10	10	10	10	12	12	12	14	14	14	14
重量 Weight (kg)	3.2	3.6	4.0	4.4	4.7	5.1	5.5	5.8	6.2	6.6	6.9	7.3	7.7	8.1	8.4	8.8	9.2	9.5	9.9	10.3
最高速度 Max speed (mm/sec)	800	800	800	800	800	800	800	800	800	800	800	800	800	800	800	800	800	800	800	800
螺距 Pitch 20																				
螺距 Pitch 16																				
螺距 Pitch 10																				
螺距 Pitch 05																				

#Note:When the stroke is more than 700mm, the resonance phenomenon could come into being. So please refer to speed sheet on the drawing.

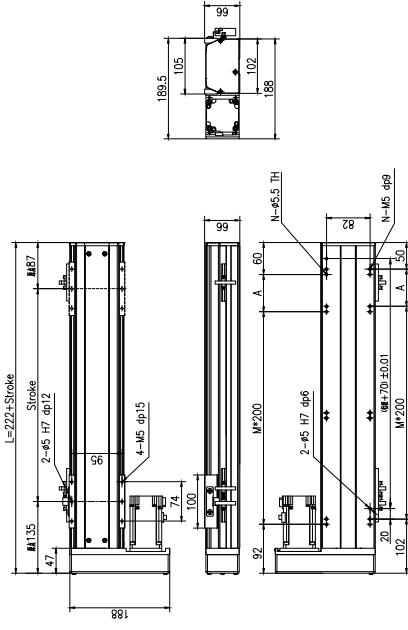
YSO100-2P-ML Left Motor Mounting



行程 Stroke (mm)	100	150	200	250	300	350	400	450	500	550	600	650	700	750	800	850	900	950	1000	1050
L	322	372	422	472	522	572	622	672	722	772	822	872	922	972	1022	1072	1122	1172	1222	1272
A	170	20	70	120	170	20	70	120	170	20	70	120	170	20	70	120	170	20	70	120
M	0	1	1	1	2	2	2	3	3	3	3	3	3	4	4	4	4	4	5	5
N	4	6	6	6	6	8	8	8	10	10	10	10	10	12	12	12	14	14	14	14
重量 Weight (kg)	3.7	4.1	4.5	4.9	5.2	5.6	6.0	6.3	6.7	7.1	7.4	7.8	8.2	8.6	8.9	9.3	9.7	10.0	10.4	10.8
最高速度 Max speed (mm/sec)	800	800	800	800	800	800	800	800	800	800	800	800	800	800	800	800	800	800	800	800
螺距 Pitch 20																				
螺距 Pitch 16																				
螺距 Pitch 10																				
螺距 Pitch 05																				

#Note:When the stroke is more than 700mm, the resonance phenomenon could come into being. So please refer to speed sheet on the drawing.

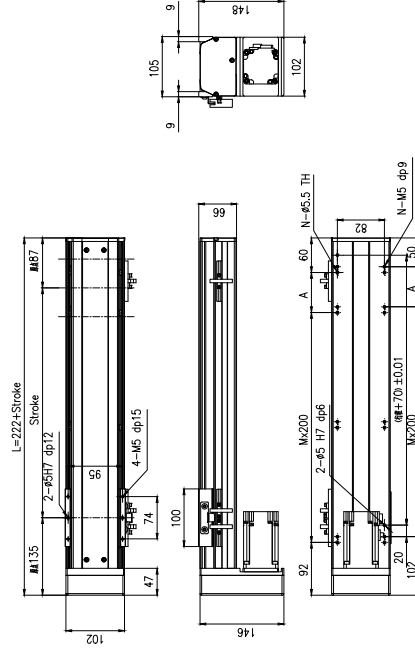
YSO100-2P-MR Right Motor Mounting



行程 Stroke (mm)	100	150	200	250	300	350	400	450	500	550	600	650	700	750	800	850	900	950	1000	1050
L	322	372	422	472	522	572	622	672	722	772	822	872	922	972	1022	1072	1122	1172	1222	1272
A	170	20	70	120	170	20	70	120	170	20	70	120	170	20	70	120	170	20	70	120
M	0	1	1	1	2	2	2	3	3	3	3	3	3	4	4	4	4	4	5	5
N	4	6	6	6	6	8	8	8	10	10	10	10	10	12	12	12	14	14	14	14
重量 Weight (kg)	3.7	4.1	4.5	4.9	5.2	5.6	6.0	6.3	6.7	7.1	7.4	7.8	8.2	8.6	8.9	9.3	9.7	10.0	10.4	10.8
最高速度 Max speed (mm/sec)	800	800	800	800	800	800	800	800	800	800	800	800	800	800	800	800	800	800	800	800
螺距 Pitch 20																				
螺距 Pitch 16																				
螺距 Pitch 10																				
螺距 Pitch 05																				

#Note:When the stroke is more than 700mm, the resonance phenomenon could come into being. So please refer to speed sheet on the drawing.

YSO100-2P-MD Down Motor Mounting



行程 Stroke (mm)	100	150	200	250	300	350	400	450	500	550	600	650	700	750	800	850	900	950	1000	1050
L	322	372	422	472	522	572	622	672	722	772	822	872	922	972	1022	1072	1122	1172	1222	1272
A	170	20	70	120	170	20	70	120	170	20	70	120	170	20	70	120	170	20	70	120
M	0	1	1	1	2	2	2	3	3	3	3	3	3	4	4	4	4	4	5	5
N	4	6	6	6	6	8	8	8	10	10	10	10	10	12	12	12	14	14	14	14
重量 Weight (kg)	3.7	4.1	4.5	4.9	5.2	5.6	6.0	6.3	6.7	7.1	7.4	7.8	8.2	8.6	8.9	9.3	9.7	10.0	10.4	10.8
最高速度 Max speed (mm/sec)	800	800	800	800	800	800	800	800	800	800	800	800	800	800	800	800	800	800	800	800
螺距 Pitch 20																				
螺距 Pitch 16																				
螺距 Pitch 10																				
螺距 Pitch 05																				

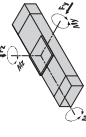
#Note:When the stroke is more than 700mm, the resonance phenomenon could come into being. So please refer to speed sheet on the drawing.

Code

YSO110-	L10	500	DB	4P	MS	M40	P3	A001
Item NO.	Ball Screw Lead	Stroke	Assembly Block	Block Quantity	Motor Mounting Position	Motor Brand	Photoeye Sensor	Special Output
05	10	100-1050 (mm)Cap50	承座固定機構 DB ---輔助機構	4P	M 垂直安裝 MS 垂直安裝 ML 垂直安裝 MR 垂直安裝 MD 垂直安裝	M 三菱 Mitsubishi 10 Y 松下 Panasonic 20 200W P 安川 Yaskawa 40 400W D 台達 Delta 75	P1: 1Hz 1PC P2: 2Hz 2PCS P3: 3Hz 3PCS	
10	16							
20								



Max Permissible Forces And Torques



Type	4P
■ F _x (N)	3427
■ F _y (N)	3427
■ M _x (N·m)	98
■ M _y (N·m)	40
■ M _z (N·m)	176

All forces and torques relate to the following:

$$F_{y,max} = F_{z,max} + F_{x,max} + M_{y,max} + M_{z,max} \leq 1$$

Motor Mounting Position

MS Type	ML Type	MR Type	MD Type
Straight Motor Mounting	Left Motor Mounting	Right Motor Mounting	Down Motor Mounting

Basic Specification

YSO110	4P() Block Quantity	
	±0.005	
位置重複精度	Repetitive Accuracy (mm)	
螺桿導程	Ball Screw Lead (mm)	10 16 20
最高速度	Maximum Speed (mm/s)	250 500 1000
最大可搬重量	水平使用Horizontal (kg)	50 30 22 18 16
最大可搬重量	垂直使用Vertical (kg)	18 6 6 6 6
矩倍率	Rated Thrust (N)	341 106 85 85 85
最大空載扭矩	Max. No-load Driving Torque (N·m)	0.12 0.16 0.16 0.2 0.2
最大指定	Max. Driving Torque (N·m)	10.9 12.5 14 14 16
標準行程	Stroke (mm)	100-1050 mm 50 Pitch
AC伺服馬達容量	AC Servo Motor Output (W)	200/400
滾珠軸徑	Ball Screw Diameter (mm)	ø16
高剛性直線導軌	Linear Guide (mm)	12# x 2 PCS
主纜線最大外形	Max Outline of Main Engine's Cross Section (mm)	105 x 70
原點歸零器	Home Sensor	EE-SX672(NP)

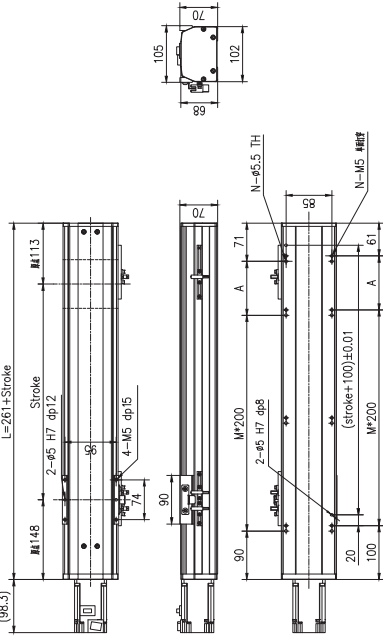
#Note 1: When the stroke is more than 700mm, the resonance phenomenon could come into being. So please refer to speed sheet on the drawing.

#Note 2: Date tolerance is according to different torque and accelerated speed. Please refer to the LIMON calculate software.

YSO110-4P-MS

Straight Motor Mounting

2838 文新街 10 號 3 樓
www.kalatec.com.tw

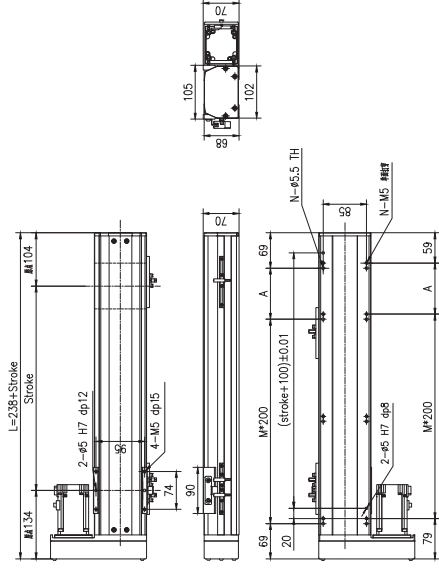


行程 Stroke (mm)	100	150	200	250	300	350	400	450	500	550	600	650	700	750	800	850	900	950	1000	1050
L	361	411	461	511	561	611	661	711	761	811	861	911	961	1011	1061	1111	1161	1211	1261	1311
A	200	50	100	150	200	50	100	150	200	50	100	150	200	50	100	150	200	50	100	150
M	0	1	1	1	1	2	2	2	2	3	3	3	3	4	4	4	4	4	5	5
重量 Weight (kg)	4	6	6	5	6	6	6	6	5	6	6	5	6	6	5	6	5	6	5	5
最高速度	4	4.4	4.9	5.2	5.9	6	6.4	6.8	7.2	7.8	8	8.4	8.8	9.1	9.5	9.9	10.3	10.7	11.1	11.5
螺絲 Pitch 16	800																			
螺絲 Pitch 10	500																			
螺絲 Pitch 05	250																			
Max speed (mm/sec)	640																			
	400																			
	325																			
	250																			
	125																			

注：行程超過700mm時，可能會出現共振現象，請參考上表所示的最高速度。
#Note: When the stroke is more than 700mm, the resonance phenomenon could come into being. So please refer to speed sheet on the drawing.

YSO110-4P-ML

馬達左拆安裝 Left Motor Mounting



行程 Stroke (mm)	100	150	200	250	300	350	400	450	500	550	600	650	700	750	800	850	900	950	1000	1050
L	334	384	434	484	534	584	634	684	734	784	834	884	934	984	1034	1084	1134	1184	1234	1284
A	200	50	100	150	200	50	100	150	200	50	100	150	200	50	100	150	200	50	100	150
M	0	1	1	1	1	2	2	2	2	3	3	3	3	4	4	4	4	4	5	5
重量 Weight (kg)	4.3	4.7	5.1	5.5	5.9	6.3	6.6	7.0	7.4	7.8	8.2	8.6	9.0	9.4	9.8	10.2	10.6	11.0	11.4	11.8
最高速度	4.3	4.7	5.1	5.5	5.9	6.3	6.6	7.0	7.4	7.8	8.2	8.6	9.0	9.4	9.8	10.2	10.6	11.0	11.4	11.8
螺絲 Pitch 20	800																			
螺絲 Pitch 16	500																			
螺絲 Pitch 10	250																			
Max speed (mm/sec)	640																			
	400																			
	325																			
	250																			
	125																			

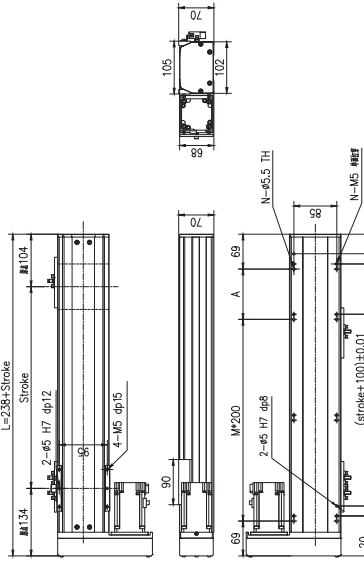
注：行程超過700mm時，可能會出現共振現象，請參考上表所示的最高速度。
#Note: When the stroke is more than 700mm, the resonance phenomenon could come into being. So please refer to speed sheet on the drawing.

YSO 110

Ball Screw Driven Linear Actuator



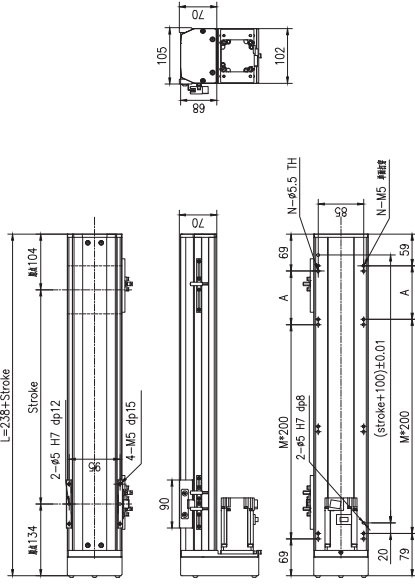
YSO110-4P-MR
Right Motor Mounting



行程 Stroke (mm)	100	150	200	250	300	350	400	450	500	550	600	650	700	750	800	850	900	950	1000	1050
L	338	388	438	488	538	588	638	688	738	788	838	888	938	988	1038	1088	1138	1188	1238	1288
A	200	50	100	150	200	50	100	150	200	50	100	150	200	50	100	150	200	50	100	150
M	0	1	1	1	2	2	2	3	3	3	4	4	4	4	4	4	4	4	5	5
N	0	1	1	1	2	2	2	3	3	3	4	4	4	4	4	4	4	4	5	5
重量 Weight (kg)	4.3	4.7	5.1	5.3	5.9	6.3	6.6	7.4	7.8	8.2	8.6	9.1	9.4	9.8	10.2	10.6	11.0	11.4	11.8	12.2
最高速度 Max. speed (mm/sec)	Pitch 20																			
	Pitch 10																			
	Pitch 05																			

#Note: When the stroke is more than 700mm, the resonance phenomenon could come into being. So please refer to speed sheet on the drawing.

YSO110-4P-MD
Down Motor Mounting



行程 Stroke (mm)	100	150	200	250	300	350	400	450	500	550	600	650	700	750	800	850	900	950	1000	1050
L	338	388	438	488	538	588	638	688	738	788	838	888	938	988	1038	1088	1138	1188	1238	1288
A	200	50	100	150	200	50	100	150	200	50	100	150	200	50	100	150	200	50	100	150
M	0	1	1	1	2	2	2	3	3	3	4	4	4	4	4	4	4	4	5	5
N	0	1	1	1	2	2	2	3	3	3	4	4	4	4	4	4	4	4	5	5
重量 Weight (kg)	4.3	4.7	5.1	5.3	5.9	6.3	6.6	7.4	7.8	8.2	8.6	9.1	9.4	9.8	10.2	10.6	11.0	11.4	11.8	12.2
最高速度 Max. speed (mm/sec)	Pitch 20																			
	Pitch 10																			
	Pitch 05																			

#Note: When the stroke is more than 700mm, the resonance phenomenon could come into being. So please refer to speed sheet on the drawing.

YSO 135

Ball Screw Driven Linear Actuator

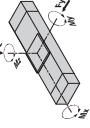
Code

YSO135	L10	-500	-DB	4P	MS	M40	P3	A001
本體型號 (Item NO.)	材料編號 (Ball Screw Lead)	行程 (Stroke)	輔助滑塊 (Auxiliary Block)	直線導軌滑塊數量 (Block Quantity)	馬達安裝 (Motor Mounting)	馬達品牌 (Motor Brand)	滑軌品牌 (Ribbon Brand)	特殊字號 (Special Code No.)
05	05	10	DB	2P	MS	M 三菱 Mitsubishi 10	P1 滑軌 1PC	
10	10	16	DB	4P	ML	P 松下 Panasonic 20 200W	P2 滑軌 2PCS	
20	20		DB		MR	V 安川 Yaskawa 40 400W	P3 滑軌 3PCS	
					MD	D 台達 Delta 75	未標記: 無	
						MD 馬達下附安裝	Kokikuchi Sensor	

注: 輔助滑塊選項請參閱參見樣本P166.



最大助推力矩
Max. Permissible Forces & Torques



Type	2P	4P
F _x (N)	2684	5370
F _y (N)	2684	5370
M _x (N·m)	95	142
M _y (N·m)	32	104
M _z (N·m)	172	346

除了滿足最大負載和力矩外, 還必須滿足以下公式:
All forces and torques relate to the following:
 $F_x + F_y + F_z \leq M_x + M_y + M_z$
 $F_{ymax} + F_{zmax} + M_{xmax} + M_{ymax} + M_{zmax} \leq 1$

Motor Mounting Position Version



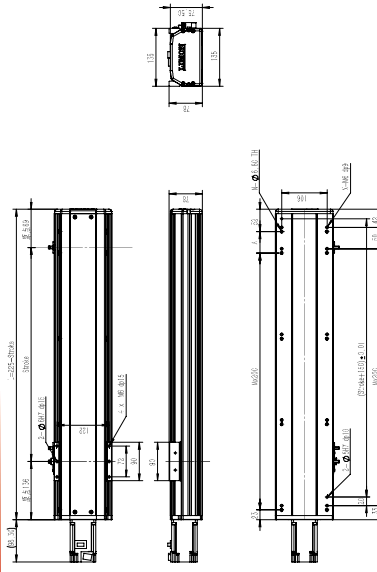
Basic Specification

位置重複精度 (mm)	2P(±0.005)		4P(±0.005)	
	5	10	16	20
操作行程 (mm)	250	500	800	1000
最高速度 (mm/s)	60	45	40	30
最大可搬重量 (kg)	20	15	12	8
最大空載推力 (N)	683	341	213	174
最大空載扭矩 (N·m)	0.12	0.15	0.2	0.22
最大扭矩 (N·m)	10.9	12.5	14	16.7
標準行程 (mm)	100~1250 mm 50 Pitch			
AC伺服馬達重量 (kg)	200/400			
滾珠螺絲外徑 (mm)	Ø16 / Ø20			
高精度直線滑軌 (mm)	15# x 2 PCS			
主機體寬度 (mm)	135 x 78			
原點感應器 (mm)	EE-SX7Z(NPN)			

#Note 1: When the stroke is more than 900mm, the resonance phenomenon could come into being. So please refer to speed sheet on the drawing.

#Note 2: Data changes relevantly according to different torque and accelerated speed. Please refer to the LIMON calculate software.

YSO135-2P-MS

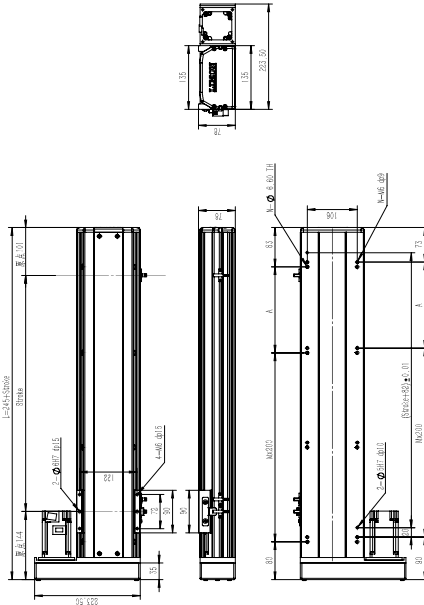


Stroke (mm)	100	150	200	250	300	350	400	450	500	550	600	650	700	750	800	850	900	950	1000	1050	1100	1150	1200	1250
L	345	395	445	495	545	595	645	695	745	795	845	895	945	995	1045	1095	1145	1195	1245	1295	1345	1395	1445	1495
A	50	100	150	200	250	300	350	400	450	500	550	600	650	700	750	800	850	900	950	1000	1050	1100	1150	1200
M	1	1	1	1	2	2	2	2	3	3	3	4	4	4	4	5	5	5	5	6	6	6	6	6
N	6	6	6	6	8	8	8	8	10	10	10	10	12	12	12	14	14	14	14	14	14	14	16	16
Weight (kg)	6.0	6.4	6.9	7.4	7.9	8.3	8.8	9.3	9.8	10.2	10.7	11.2	11.7	12.1	12.6	13.0	13.6	14.0	14.5	15.0	15.5	15.9	16.4	16.9
Pitch 20	800																							
Pitch 16	600																							
Pitch 10	500																							
Pitch 05	250																							
Max speed (mm/sec)	200																							
	162.5																							
	125																							
	112.5																							

#Note 1: When the stroke is more than 900mm, the resonance phenomenon could come into being. So please refer to speed sheet on the drawing.

YSO135-2P-ML

Left Motor Mounting

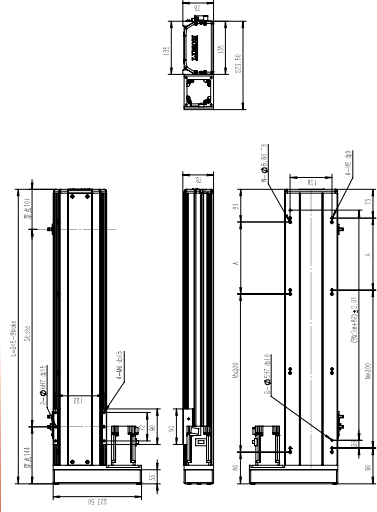


Stroke (mm)	100	150	200	250	300	350	400	450	500	550	600	650	700	750	800	850	900	950	1000	1050	1100	1150	1200	1250
L	345	395	445	495	545	595	645	695	745	795	845	895	945	995	1045	1095	1145	1195	1245	1295	1345	1395	1445	1495
A	182	32	82	132	182	232	282	332	382	432	482	532	582	632	682	732	782	832	882	932	982	1032	1082	1132
M	0	1	1	1	2	2	2	2	3	3	3	3	4	4	4	4	4	4	5	5	5	5	6	6
N	4	6	6	6	8	8	8	8	10	10	10	10	12	12	12	14	14	14	14	14	14	14	16	16
Weight (kg)	7.0	7.4	7.9	8.4	8.9	9.3	9.8	10.3	10.8	11.2	11.7	12.2	12.7	13.1	13.6	14.1	14.6	15.0	15.5	16.0	16.5	16.9	17.4	17.9
Pitch 20	800																							
Pitch 16	600																							
Pitch 10	500																							
Pitch 05	250																							
Max speed (mm/sec)	200																							
	162.5																							
	125																							
	112.5																							

#Note 1: When the stroke is more than 900mm, the resonance phenomenon could come into being. So please refer to speed sheet on the drawing.

YSO135-2P-MR

Right Motor Mounting

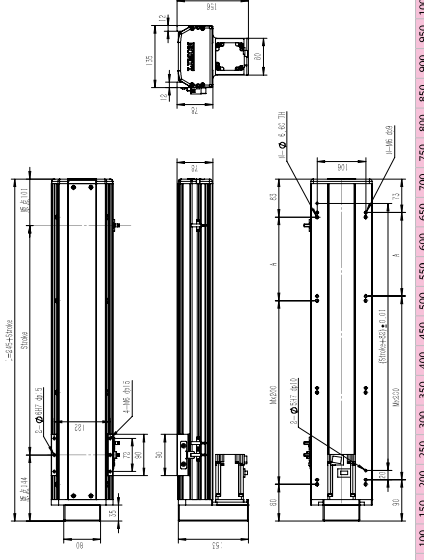


Stroke (mm)	100	150	200	250	300	350	400	450	500	550	600	650	700	750	800	850	900	950	1000	1050	1100	1150	1200	1250
L	345	395	445	495	545	595	645	695	745	795	845	895	945	995	1045	1095	1145	1195	1245	1295	1345	1395	1445	1495
A	182	32	82	132	182	232	282	332	382	432	482	532	582	632	682	732	782	832	882	932	982	1032	1082	1132
M	0	1	1	1	2	2	2	2	3	3	3	3	4	4	4	4	4	4	5	5	5	5	6	6
N	4	6	6	6	8	8	8	8	10	10	10	10	12	12	12	14	14	14	14	14	14	14	16	16
Weight (kg)	7.0	7.4	7.9	8.4	8.9	9.3	9.8	10.3	10.8	11.2	11.7	12.2	12.7	13.1	13.6	14.1	14.6	15.0	15.5	16.0	16.5	16.9	17.4	17.9
Pitch 20	800																							
Pitch 16	600																							
Pitch 10	500																							
Pitch 05	250																							
Max speed (mm/sec)	200																							
	162.5																							
	125																							
	112.5																							

#Note 1: When the stroke is more than 900mm, the resonance phenomenon could come into being. So please refer to speed sheet on the drawing.

YSO135-2P-MD

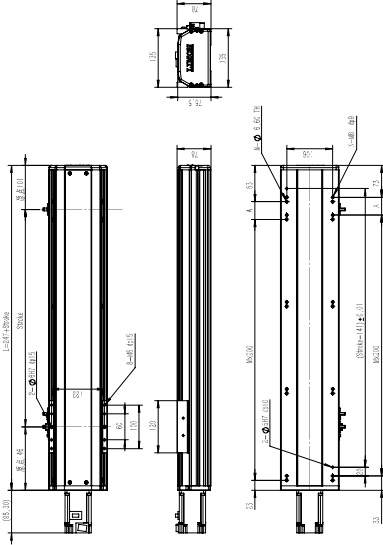
Down Motor Mounting



Stroke (mm)	100	150	200	250	300	350	400	450	500	550	600	650	700	750	800	850	900	950	1000	1050	1100	1150	1200	1250
L	345	395	445	495	545	595	645	695	745	795	845	895	945	995	1045	1095	1145	1195	1245	1295	1345	1395	1445	1495
A	182	32	82	132	182	232	282	332	382	432	482	532	582	632	682	732	782	832	882	932	982	1032	1082	1132
M	0	1	1	1	2	2	2	2	3	3	3	3	4	4	4	4	4	4	5	5	5	5	6	6
N	4	6	6	6	8	8	8	8	10	10	10	10	12	12	12	14	14	14	14	14	14	14	16	16
Weight (kg)	7.0	7.4	7.9	8.4	8.9	9.3	9.8	10.3	10.8	11.2	11.7	12.2	12.7	13.1	13.6	14.1	14.6	15.0	15.5	16.0	16.5	16.9	17.4	17.9
Pitch 20	800																							
Pitch 16	600																							
Pitch 10	500																							
Pitch 05	250																							
Max speed (mm/sec)	200																							
	162.5																							
	125																							
	112.5																							

#Note 1: When the stroke is more than 900mm, the resonance phenomenon could come into being. So please refer to speed sheet on the drawing.

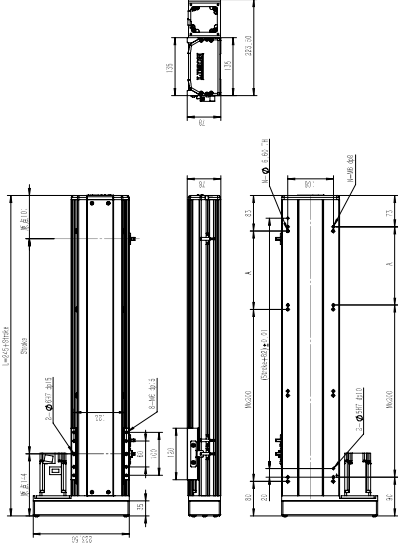
YSO135-4P-MS SRight Motor Mounting



行程 Stroke (mm)	100	150	200	250	300	350	400	450	500	550	600	650	700	750	800	850	900	950	1000	1050	1100	1150	1200	1250
L	345	395	445	495	545	595	645	695	745	795	845	895	945	995	1045	1095	1145	1195	1245	1295	1345	1395	1445	1495
A	182	32	82	132	182	232	282	332	382	432	482	532	582	632	682	732	782	832	882	932	982	1032	1082	1132
M	0	1	1	2	2	3	3	3	4	4	4	5	5	5	5	5	5	5	5	5	5	5	5	6
N	0	6	6	6	6	6	6	6	6	6	6	6	6	6	6	6	6	6	6	6	6	6	6	6
重量 Weight (kg)	6.2	7.6	8.1	8.6	9.1	9.5	10.0	10.4	10.9	11.4	11.9	12.3	12.8	13.3	13.8	14.2	14.7	15.2	15.7	16.2	16.7	17.1	17.6	18.1
螺距 Pitch 20	1000																							
螺距 Pitch 16	800																							
螺距 Pitch 10	500																							
Max speed (mm/sec)	250																							
螺距 Pitch 05	200																							

#Note: When the stroke is more than 900mm, the resonance phenomenon could come into being. So please refer to speed sheet on the drawing.

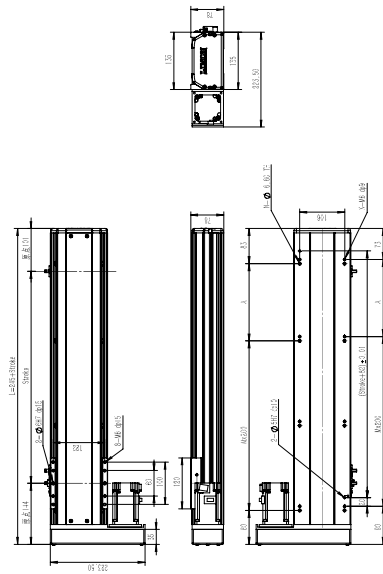
YSO135-4P-ML Left Motor Mounting



行程 Stroke (mm)	100	150	200	250	300	350	400	450	500	550	600	650	700	750	800	850	900	950	1000	1050	1100	1150	1200	1250
L	345	395	445	495	545	595	645	695	745	795	845	895	945	995	1045	1095	1145	1195	1245	1295	1345	1395	1445	1495
A	182	32	82	132	182	232	282	332	382	432	482	532	582	632	682	732	782	832	882	932	982	1032	1082	1132
M	0	6	6	6	6	6	6	6	6	6	6	6	6	6	6	6	6	6	6	6	6	6	6	6
N	0	6	6	6	6	6	6	6	6	6	6	6	6	6	6	6	6	6	6	6	6	6	6	6
重量 Weight (kg)	6.2	7.6	8.1	8.6	9.1	9.5	10.0	10.5	11.0	11.4	11.9	12.4	12.9	13.3	13.8	14.3	14.8	15.2	15.7	16.2	16.7	17.1	17.6	18.1
螺距 Pitch 20	1000																							
螺距 Pitch 16	800																							
螺距 Pitch 10	500																							
Max speed (mm/sec)	250																							
螺距 Pitch 05	200																							

#Note: When the stroke is more than 900mm, the resonance phenomenon could come into being. So please refer to speed sheet on the drawing.

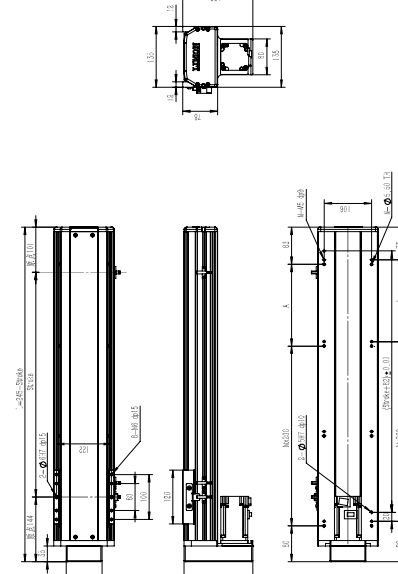
YSO135-4P-MR Right Motor Mounting



行程 Stroke (mm)	100	150	200	250	300	350	400	450	500	550	600	650	700	750	800	850	900	950	1000	1050	1100	1150	1200	1250
L	345	395	445	495	545	595	645	695	745	795	845	895	945	995	1045	1095	1145	1195	1245	1295	1345	1395	1445	1495
A	182	32	82	132	182	232	282	332	382	432	482	532	582	632	682	732	782	832	882	932	982	1032	1082	1132
M	0	1	1	2	2	3	3	3	4	4	4	5	5	5	5	5	5	5	5	5	5	5	5	6
N	0	6	6	6	6	6	6	6	6	6	6	6	6	6	6	6	6	6	6	6	6	6	6	6
重量 Weight (kg)	7.2	7.6	8.1	8.6	9.1	9.5	10.0	10.5	11.0	11.4	11.9	12.4	12.9	13.3	13.8	14.3	14.8	15.2	15.7	16.2	16.7	17.1	17.6	18.1
螺距 Pitch 20	1000																							
螺距 Pitch 16	800																							
螺距 Pitch 10	500																							
Max speed (mm/sec)	250																							
螺距 Pitch 05	200																							

#Note: When the stroke is more than 900mm, the resonance phenomenon could come into being. So please refer to speed sheet on the drawing.

YSO135-4P-MD Down Motor Mounting



行程 Stroke (mm)	100	150	200	250	300	350	400	450	500	550	600	650	700	750	800	850	900	950	1000	1050	1100	1150	1200	1250
L	345	395	445	495	545	595	645	695	745	795	845	895	945	995	1045	1095	1145	1195	1245	1295	1345	1395	1445	1495
A	182	32	82	132	182	232	282	332	382	432	482	532	582	632	682	732	782	832	882	932	982	1032	1082	1132
M	0	1	1	2	2	3	3	3	4	4	4	5	5	5	5	5	5	5	5	5	5	5	5	6
N	0	6	6	6	6	6	6	6	6	6	6	6	6	6	6	6	6	6	6	6	6	6	6	6
重量 Weight (kg)	7.2	7.6	8.1	8.6	9.1	9.5	10.0	10.5	11.0	11.4	11.9	12.4	12.9	13.3	13.8	14.3	14.8	15.2	15.7	16.2	16.7	17.1	17.6	18.1
螺距 Pitch 20	1000																							
螺距 Pitch 16	800																							
螺距 Pitch 10	500																							
Max speed (mm/sec)	250																							
螺距 Pitch 05	200																							

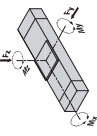
#Note: When the stroke is more than 900mm, the resonance phenomenon could come into being. So please refer to speed sheet on the drawing.

Code

YSO135G	L10	-500	-DB	4P	MS	M40	P3	A001
Item NO.	Ball Screw Lead	Stroke	Accessory Block	Block Quantity	Motor Mounting Position	Motor Brand, Power Output	Photoelectric Sensor	Special Order No.
05	10	100-2500		4P	MS: Motor Mounting ML: Left Motor Mounting MR: Right Motor Mounting MD: Down Motor Mounting	M 三菱 Mitsubishi 10 P 松下 Panasonic 20 200W Y 安川 Yaskawa 40 400W D 台達 Delta 75 1K	P1: 1條 1PC P2: 2條 2PCS P3: 3條 3PCS	
10	16							
16	20							
20								



Max Permissible Forces And Torques



Type	4P
■ Fx (N)	5370
■ Fy (N)	5370
■ Fz (N)	142
■ Mx (N·m)	104
■ My (N·m)	104
■ Mz (N·m)	346

All forces and torques relate to the following:
 $F_x, F_y, F_z, M_x, M_y, M_z \leq 1$
 $F_{ymax}, F_{zmax}, M_{xmax}, M_{ymax}, M_{zmax} \leq 1$

Motor Mounting Position Version

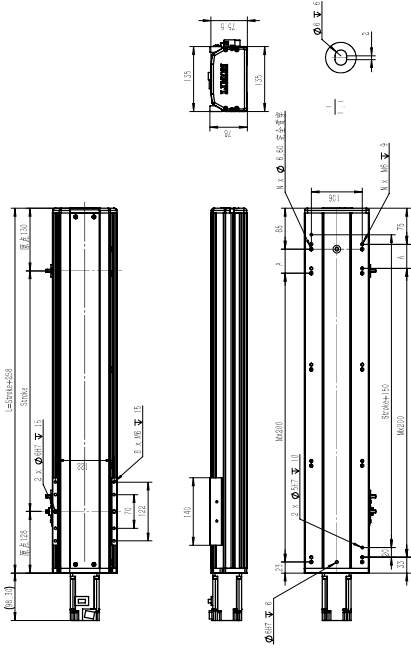
MS Type	ML Type	MR Type	MD Type
Straight Motor Mounting	Left Motor Mounting	Right Motor Mounting	Down Motor Mounting

Basic Specification

YSO135G		4P	Block quantity
位置制御精度	Repetitive Accuracy (mm)	±0.005	
螺桿導程	Ball Screw Lead (mm)	5	10
最高速度	Maximum Speed (mm/s)	250	500
最大可許重量	Maximum Payload (kg)	100	80
最大靜推力	Static Thrust (N)	683	341
最大空載扭矩	Max. No-load Driving Torque (N·m)	0.12	0.15
螺桿行程	Stroke (mm)	10.9	12.5
AC伺服馬達電壓	AC Servo Motor Output (V)	100~1250 (mm) 50 Pitch 200/400	
滾珠螺桿外徑	Ball Screw Diameter (mm)	Ø16 / Ø20	
高剛性直線滑軌	Linear Guide (mm)	15# x 2 PCS	
主機載重基本外形	Max Outline of Main Engine's Cross Section (mm)	135 x 78	
原點歸位器	Home Sensor	EE-SX67Z(NPN)	

#Note 1: When the stroke is more than 900mm, the resonance phenomenon could come into being. So please refer to speed sheet on the drawing.
 #Note 2: Data changes reportedly according to different torque and accelerated speed. Please refer to the LIMON calculate software.

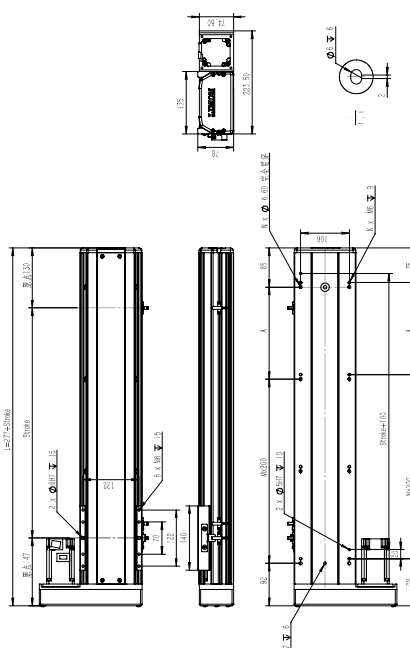
YSO135G-4P-MS SRRight Motor Mounting



行程 Stroke (mm)	100	150	200	250	300	350	400	450	500	550	600	650	700	750	800	850	900	950	1000	1050	1100	1150	1200	1250
L	358	408	458	508	558	608	658	708	758	808	858	908	958	1008	1058	1108	1158	1208	1258	1308	1358	1408	1458	1508
A	50	100	150	200	250	300	350	400	450	500	550	600	650	700	750	800	850	900	950	1000	1050	1100	1150	1200
M	1	1	1	1	1	1	1	1	1	1	1	1	1	1	1	1	1	1	1	1	1	1	1	1
N	6	6	6	6	6	6	6	6	6	6	6	6	6	6	6	6	6	6	6	6	6	6	6	6
重量 Weight (kg)	6.2	6.6	7.1	7.6	8.1	8.6	9.0	9.5	10.0	10.4	10.9	11.4	11.9	12.3	12.8	13.3	13.8	14.2	14.7	15.2	15.7	16.1	16.6	17.1
Max speed (mm/sec)	800																							
螺桿 Pitch 20	800																							
螺桿 Pitch 16	640																							
螺桿 Pitch 10	500																							
螺桿 Pitch 05	250																							

#Note 1: When the stroke is more than 900mm, the resonance phenomenon could come into being. So please refer to speed sheet on the drawing.

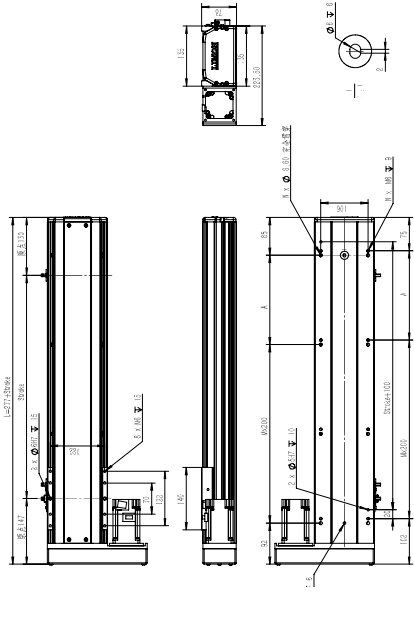
YSO135G-4P-ML Left Motor Mounting



行程 Stroke (mm)	100	150	200	250	300	350	400	450	500	550	600	650	700	750	800	850	900	950	1000	1050	1100	1150	1200	1250
L	377	427	477	527	577	627	677	727	777	827	877	927	977	1027	1077	1127	1177	1227	1277	1327	1377	1427	1477	1527
A	200	50	100	150	200	250	300	350	400	450	500	550	600	650	700	750	800	850	900	950	1000	1050	1100	1150
M	0	1	1	1	1	1	1	1	1	1	1	1	1	1	1	1	1	1	1	1	1	1	1	1
N	4	6	6	6	6	6	6	6	6	6	6	6	6	6	6	6	6	6	6	6	6	6	6	6
重量 Weight (kg)	7.2	7.6	8.1	8.6	9.1	9.5	10.0	10.5	11.0	11.4	11.9	12.4	12.9	13.3	13.8	14.3	14.8	15.2	15.7	16.2	16.7	17.1	17.6	18.1
Max speed (mm/sec)	800																							
螺桿 Pitch 20	800																							
螺桿 Pitch 16	640																							
螺桿 Pitch 10	500																							
螺桿 Pitch 05	250																							

#Note 1: When the stroke is more than 900mm, the resonance phenomenon could come into being. So please refer to speed sheet on the drawing.

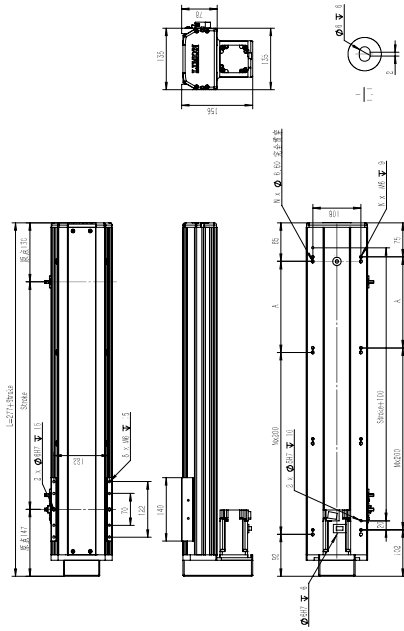
YSO135G-4P-MR Right Motor Mounting



行程 Stroke (mm)	100	150	200	250	300	350	400	450	500	550	600	650	700	750	800	850	900	950	1000	1050	1100	1150	1200	1250
L	377	427	477	527	577	627	677	727	777	827	877	927	977	1027	1077	1127	1177	1227	1277	1327	1377	1427	1477	1527
A	200	300	400	500	600	700	800	900	1000	1100	1200	1300	1400	1500	1600	1700	1800	1900	2000	2100	2200	2300	2400	2500
M	0	1	1	1	2	2	2	3	3	3	3	4	4	4	4	4	5	5	5	5	5	6	6	6
N	0	6	6	6	6	6	6	6	6	6	6	6	6	6	6	6	6	6	6	6	6	6	6	6
重量 Weight (kg)	7.2	7.6	8.1	8.6	9.1	9.5	10.0	10.5	11.0	11.4	11.9	12.4	12.9	13.3	13.8	14.3	14.8	15.2	15.7	16.2	16.7	17.1	17.6	18.1
Pitch 20																								
Pitch 16																								
Pitch 10																								
Pitch 05																								
Max speed (mm/sec)																								
	800	640	500	400	325	250	200	162.5	125	112.5														

#Note 1: When the stroke is more than 900mm, the resonance phenomenon could come into being. So please refer to speed sheet on the drawing.

YSO135G-4P-MD Down Motor Mounting



行程 Stroke (mm)	100	150	200	250	300	350	400	450	500	550	600	650	700	750	800	850	900	950	1000	1050	1100	1150	1200	1250
L	377	427	477	527	577	627	677	727	777	827	877	927	977	1027	1077	1127	1177	1227	1277	1327	1377	1427	1477	1527
A	200	300	400	500	600	700	800	900	1000	1100	1200	1300	1400	1500	1600	1700	1800	1900	2000	2100	2200	2300	2400	2500
M	0	1	1	1	2	2	2	3	3	3	3	4	4	4	4	4	5	5	5	5	5	6	6	6
N	0	6	6	6	6	6	6	6	6	6	6	6	6	6	6	6	6	6	6	6	6	6	6	6
重量 Weight (kg)	7.2	7.6	8.1	8.6	9.1	9.5	10.0	10.5	11.0	11.4	11.9	12.4	12.9	13.3	13.8	14.3	14.8	15.2	15.7	16.2	16.7	17.1	17.6	18.1
Pitch 20																								
Pitch 16																								
Pitch 10																								
Pitch 05																								
Max speed (mm/sec)																								
	800	640	500	400	325	250	200	162.5	125	112.5														

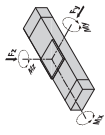
#Note 1: When the stroke is more than 900mm, the resonance phenomenon could come into being. So please refer to speed sheet on the drawing.

Code

Item NO.	YSO170	L10	500	DB	4P	MS	M40	P3	A001		
Ball Screw Lead	05	10	20	40	Stroke 100-1200 附贈CapS0	Auxiliary Block DB 輔助滑塊	Block Quantity 4P	Motor Mounting Position MS 馬達安裝位置 S: 直立式安裝 M: 馬達左側安裝 Y: 雙川 Yankava D: 右側安裝 MD: 馬達下安裝 Down Motor Mounting	Motor Brand - Power Output M 三菱 Mitsubishi 10 P 松下 Panasonic 20 200W Y 雙川 Yankava 40 400W D 右側安裝 75 750W 1K 未標註, 馬 MarkNumber	Probatic Size P1: 1根 1PC P2: 2根 2PCS P3: 3根 3PCS 未標註, 馬 MarkNumber	Special Order No



Max Permissible Forces And Torques



Type	4P
F _x (V)	(N)
F _y (Z)	(N)
F _z (X)	(N)
M _x (Y)	(N·m)
M _y (Z)	(N·m)
M _z (X)	(N·m)

All forces and torques relate to the following:
 F_x Max. F_z Max. M_x Max. M_y Max. M_z Max.
 F_y Max. F_z Max. M_x Max. M_y Max. M_z Max. ≤ 1

Motor Mounting Position Version



基本規格 Basic Specification

YSO170		4P(傳動系統數量) Block Quantity	
位置重複精度 Repetitive Accuracy (mm)	±0.005		
螺絲螺距 Ball Screw Lead (mm)	5	10	20
最高速度 Maximum Speed (mm/s)	250	500	1000
最大可搬重量 Maximum Payload (kg)	120	100	85
定額推力 Rated Thrust (N)	60	50	35
最大空載扭矩 Max. No-load Driving Torque (N·m)	2563	1281	640
最大扭矩 Max. Driving Torque (N·m)	10.9	12.5	14
標準行程 Stroke (mm)	100-1250 mm 50 Pitch		
AC伺服電壓 AC Servo Motor Output (W)	400 / 750		
滾珠螺絲外徑 Ball Screw Diameter (mm)	Ø20 / Ø25		
高剛性直線滑軌 Linear Guide (mm)	20# × 2 PCS		
注油器最大外徑 Max. Outline of Mean Engine's Cross Section (mm)	170 × 97		
原點感應器 Home Sensor	EE-SX672(NPN)		

#Note 1: When the stroke is more than 850mm, the resonance phenomenon could come into being. So please refer to speed sheet on the drawing.

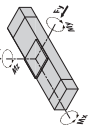
#Note 2: Date changes relevantly according to different torque and accelerated speed. Please refer to the LIMON calculate software.

Code

YSO220	L10	-500	-DB	4P	-MS	-M75	-P3	-A001
Item NO.	Ball Screw Lead	Stroke	Auxiliary Block	Block Quantity	Motor Mounting Position	Motor Brand / Power Output	Installation Status	Special Order No.
05	05	100-1500 附贈CapScrew		4P	MS: Motor Mounting ML: Left Motor Mounting MR: Right Motor Mounting MD: Down Motor Mounting	M三菱 Mitsubishi 10 P松下 Panasonic 20 Y 岩川 Yaskawa 40 D 德東 Delta 75 750W	P1: 1PC P2: 2PCS P3: 3PCS NoneMark/Sensor	



Max Permissible Forces And Torques



Type	4P
F _x (N)	11923.1
F _z (N)	11923.1
M _y (N·m)	1203.8
M _z (N·m)	528.5
M _x (N·m)	769.8

All forces and torques relate to the following:
 F_x, F_z, M_y, M_z
 $F_{y\max}, F_{z\max}, M_{x\max}, M_{y\max}, M_{z\max} \leq 1$

Motor Mounting Position Version

MS Type Straight Motor Mounting	ML Type Left Motor Mounting	MR Type Right Motor Mounting	MD Type Down Motor Mounting

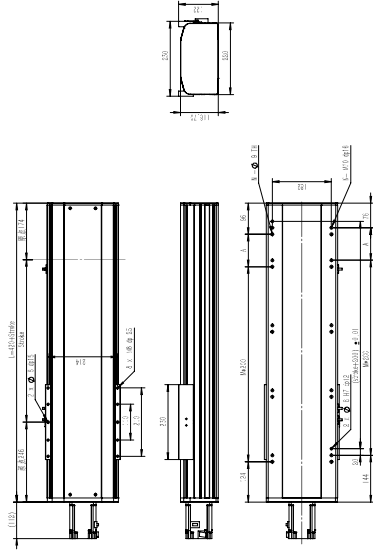
Basic Specification

	4P() Block Quantity	
YSO220	± 0.005	
位置制御精度 位置精度	Repetitive Accuracy	Accuracy
螺桿導程 螺桿螺距	Ball Screw Lead	Repetitive Accuracy
最高速度	Maximum Speed	25 / 32
最大可搬重量	Maximum Payload	140 / 80
Technical Parameters	定額推力 Rated Thrust	2563
	最大靜扭矩 Max. Driving Torque (N·m)	0.1
	最大動態扭矩 Max. No-load Driving Torque (N·m)	10.9
	標準螺桿螺距	16
	AC伺服馬達輸出	750
	液珠螺母外徑	Ø25 / Ø32
	高剛性自鎖滑動	25# × 2 PCS
	主機線圈最大分形	230 × 97
	Max Outline of Main Engine's Cross Section	
	原點歸零線圈	Home Sensor

#Note 1: When the stroke is more than 900mm, the resonance phenomenon could come into being. So please refer to speed sheet on the drawing.

#Note 2: Date changes relevantly according to different torque and accelerated speed. Please refer to the LIMON calculate software.

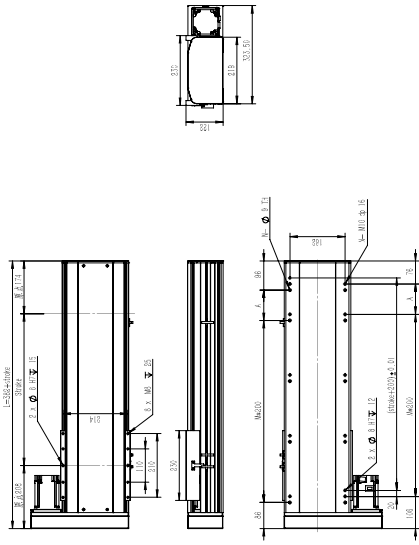
YSO220-MS Straight Motor Mounting



行程 Stroke (mm)	50	100	150	200	300	350	400	450	500	550	600	650	700	750	800	850	900	950	1000	1050	1100	1150	1200	1250	1300	1350	1400	1450	1500	
L	470	520	570	620	720	770	820	870	920	970	1020	1070	1120	1170	1220	1270	1320	1370	1420	1470	1520	1570	1620	1670	1720	1770	1820	1870	1920	
A	50	100	150	200	300	350	400	450	500	550	600	650	700	750	800	850	900	950	1000	1050	1100	1150	1200	1250	1300	1350	1400	1450	1500	
M	1	1	1	1	2	2	2	2	3	3	3	3	4	4	4	4	5	5	5	5	6	6	6	6	7	7	7	8	8	
N	6	6	6	6	8	8	8	8	10	10	10	10	12	12	12	12	14	14	14	14	16	16	16	16	18	18	18	18	20	20
重量 Weight (kg)	23.4	26.9	28.3	29.8	31.2	32.7	34.2	36.6	37.8	38.5	40	41.5	42.9	44.4	45.8	47.3	48.8	50.3	51.7	53.6	54.6	56	57.1	58.4	60.4	61.8	63.4	64.8	66.5	
Max speed (mm/sec)	Pitch 32: 1250, 1600, 1440, 1125, 1000, 1180, 1440, 1280, 1180, 960, 800, 640, 480																													
	Pitch 25: 500, 500, 450, 400, 350, 300, 250, 200																													
	Pitch 10: 250, 250, 225, 200, 175, 150, 125, 100																													

#Note 1: When the stroke is more than 850mm, the resonance phenomenon could come into being. So please refer to speed sheet on the drawing.

YSO220-ML Left Motor Mounting



行程 Stroke (mm)	50	100	150	200	300	350	400	450	500	550	600	650	700	750	800	850	900	950	1000	1050	1100	1150	1200	1250	1300	1350	1400	1450	1500	
L	432	482	532	582	682	732	782	832	882	932	982	1032	1082	1132	1182	1232	1282	1332	1382	1432	1482	1532	1582	1632	1682	1732	1782	1832	1882	
A	50	100	150	200	300	350	400	450	500	550	600	650	700	750	800	850	900	950	1000	1050	1100	1150	1200	1250	1300	1350	1400	1450	1500	
M	1	1	1	1	2	2	2	2	3	3	3	3	4	4	4	4	5	5	5	5	6	6	6	6	7	7	7	8	8	
N	6	6	6	6	8	8	8	8	10	10	10	10	12	12	12	12	14	14	14	14	16	16	16	16	18	18	18	18	20	20
重量 Weight (kg)	24.2	25.7	27.1	28.6	30.0	31.5	33.0	34.4	35.9	37.3	38.8	40.3	41.7	43.2	44.6	46.1	47.6	49.0	50.5	51.9	53.4	54.9	56.3	57.8	59.2	60.7	62.2	63.6	65.1	66.5
Max speed (mm/sec)	Pitch 32: 1250, 1600, 1440, 1125, 1000, 1180, 1440, 1280, 1180, 960, 800, 640, 480																													
	Pitch 25: 500, 500, 450, 400, 350, 300, 250, 200																													
	Pitch 10: 250, 250, 225, 200, 175, 150, 125, 100																													

#Note 1: When the stroke is more than 900mm, the resonance phenomenon could come into being. So please refer to speed sheet on the drawing.