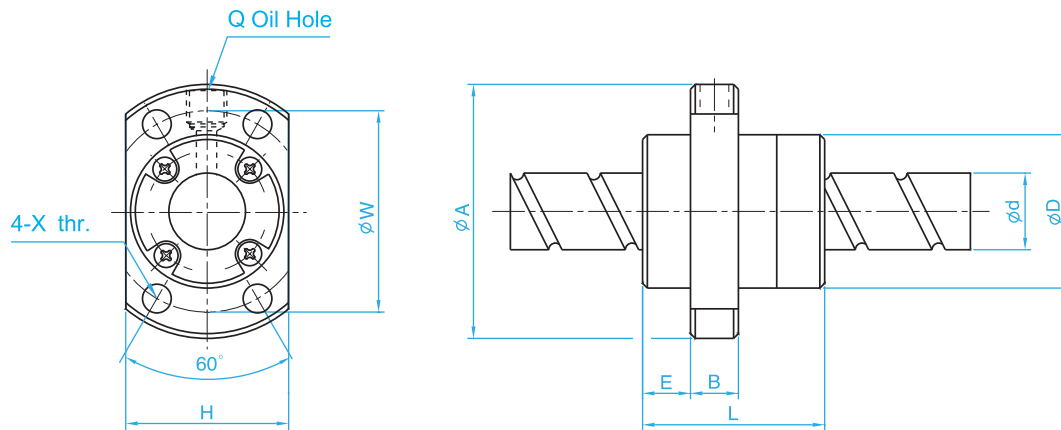


(TYPE) : SFE



Unit : mm

I: Lead Da: Ball Dia. n: Number of Circuits K: Stiffness (Kgf/μm)
 Ca: Basic Dynamic Rating Load (Kgf) Coa: Basic Static Rating Load(Kgf)

| Model No. | Dimensions | | | | | | | | | | | | | | | |
|------------|------------|----|-------|----|-----|------|----|-----|-----|-----|----|----|-------|-------|-------|-----|
| | d | I | Da | D | A | E | B | L | X | W | H | Q | n | Ca | Coa | K |
| SFE01616-3 | 16 | 16 | 2.778 | 32 | 53 | 10.1 | 10 | 38 | 4.5 | 42 | 34 | M6 | 1.7x2 | 1021 | 2409 | 29 |
| SFE01616-6 | | 16 | 2.778 | 32 | 53 | 10.1 | 10 | 38 | 4.5 | 42 | 34 | M6 | 1.7x4 | 1853 | 4818 | 57 |
| SFE01632-3 | 16 | 32 | 2.778 | 34 | 55 | 10.5 | 10 | 34 | 5.5 | 45 | 36 | M6 | 0.7x2 | 439 | 976 | 11 |
| SFE01632-6 | | 32 | 2.778 | 34 | 55 | 10.5 | 10 | 34 | 5.5 | 45 | 36 | M6 | 0.7x4 | 797 | 1953 | 21 |
| SFE02020-3 | 20 | 20 | 3.175 | 39 | 62 | 12 | 10 | 47 | 5.5 | 50 | 41 | M6 | 1.7x2 | 1321 | 3320 | 35 |
| SFE02020-6 | | 20 | 3.175 | 39 | 62 | 12 | 10 | 47 | 5.5 | 50 | 41 | M6 | 1.7x4 | 2397 | 6640 | 67 |
| SFE02040-3 | 20 | 40 | 3.175 | 38 | 58 | 11 | 10 | 41 | 5.5 | 48 | 40 | M6 | 0.7x2 | 582 | 1397 | 13 |
| SFE02040-6 | | 40 | 3.175 | 38 | 58 | 11 | 10 | 41 | 5.5 | 48 | 40 | M6 | 0.7x4 | 1056 | 2794 | 26 |
| SFE02525-3 | 25 | 25 | 3.969 | 47 | 74 | 14 | 12 | 57 | 6.6 | 60 | 49 | M6 | 1.7x2 | 1974 | 5188 | 43 |
| SFE02525-6 | | 25 | 3.969 | 47 | 74 | 14 | 12 | 57 | 6.6 | 60 | 49 | M6 | 1.7x4 | 3583 | 10377 | 83 |
| SFE02550-3 | 25 | 50 | 3.969 | 46 | 70 | 13 | 12 | 50 | 6.6 | 58 | 48 | M6 | 0.7x2 | 870 | 2183 | 16 |
| SFE02550-6 | | 50 | 3.969 | 46 | 70 | 13 | 12 | 50 | 6.6 | 58 | 48 | M6 | 0.7x4 | 1579 | 4366 | 32 |
| SFE03232-3 | 32 | 32 | 4.762 | 58 | 92 | 17 | 12 | 71 | 9 | 74 | 60 | M6 | 1.7x2 | 2876 | 8207 | 54 |
| SFE03232-6 | | 32 | 4.762 | 58 | 92 | 17 | 12 | 71 | 9 | 74 | 60 | M6 | 1.7x4 | 5220 | 16414 | 106 |
| SFE03264-3 | 32 | 64 | 4.762 | 58 | 92 | 15.5 | 12 | 62 | 9 | 74 | 60 | M6 | 0.7x2 | 1225 | 3282 | 20 |
| SFE03264-6 | | 64 | 4.762 | 58 | 92 | 15.5 | 12 | 62 | 9 | 74 | 60 | M6 | 0.7x4 | 2223 | 6565 | 39 |
| SFE04040-3 | 40 | 40 | 6.35 | 73 | 114 | 19.5 | 15 | 89 | 11 | 93 | 75 | M6 | 1.7x2 | 4600 | 13281 | 66 |
| SFE04040-6 | | 40 | 6.35 | 73 | 114 | 19.5 | 15 | 89 | 11 | 93 | 75 | M6 | 1.7x4 | 8348 | 26561 | 128 |
| SFE05050-3 | 50 | 50 | 7.938 | 90 | 135 | 21.5 | 20 | 107 | 14 | 112 | 92 | M6 | 1.7x2 | 6512 | 19430 | 80 |
| SFE05050-6 | | 50 | 7.938 | 90 | 135 | 21.5 | 20 | 107 | 14 | 112 | 92 | M6 | 1.7x4 | 11820 | 38859 | 155 |

Note: 1. "-3" means 2 starts, "-6" means 4 starts.

Note: 2. Standard nuts are without seals, if required, please advise.