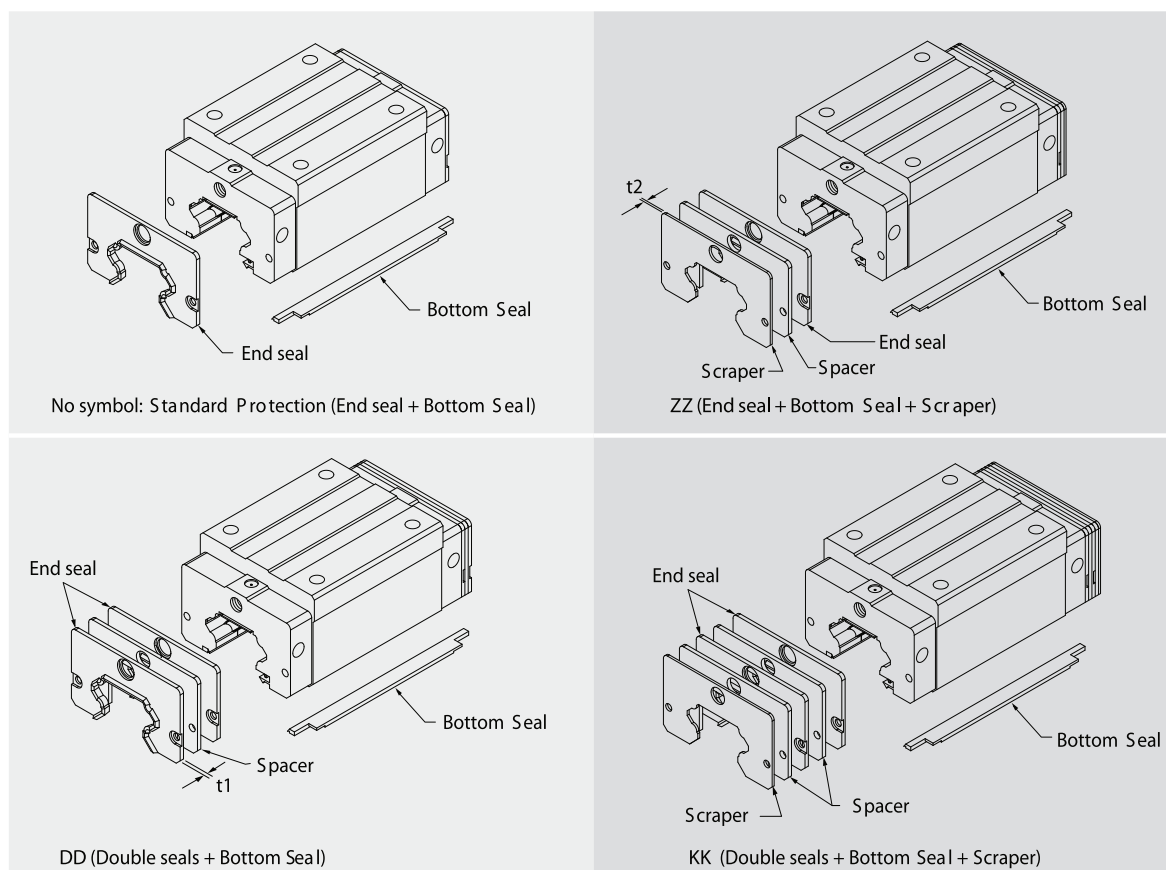


## 2-1-8 Dust Proof Accessories

(1) Codes of standard dust proof accessories

If the following accessories are needed, please add the code followed by the model number.



### (2) End seal and bottom seal

To prevent life reduction caused by iron chips or dust entering the block.

### (3) Double seals

Enhances the wiping effect, foreign matter can be completely wiped off.

Table 2-1-14 Dimensions of end seal

Size	Thickness (t1) (mm)	Size	Thickness (t1) (mm)
H15 ES	3	H35 ES	3.2
H20 ES	3.5	H45 ES	4.5
H25 ES	3.5	-	-
H30 ES	3.2	-	-

### (4) Scraper

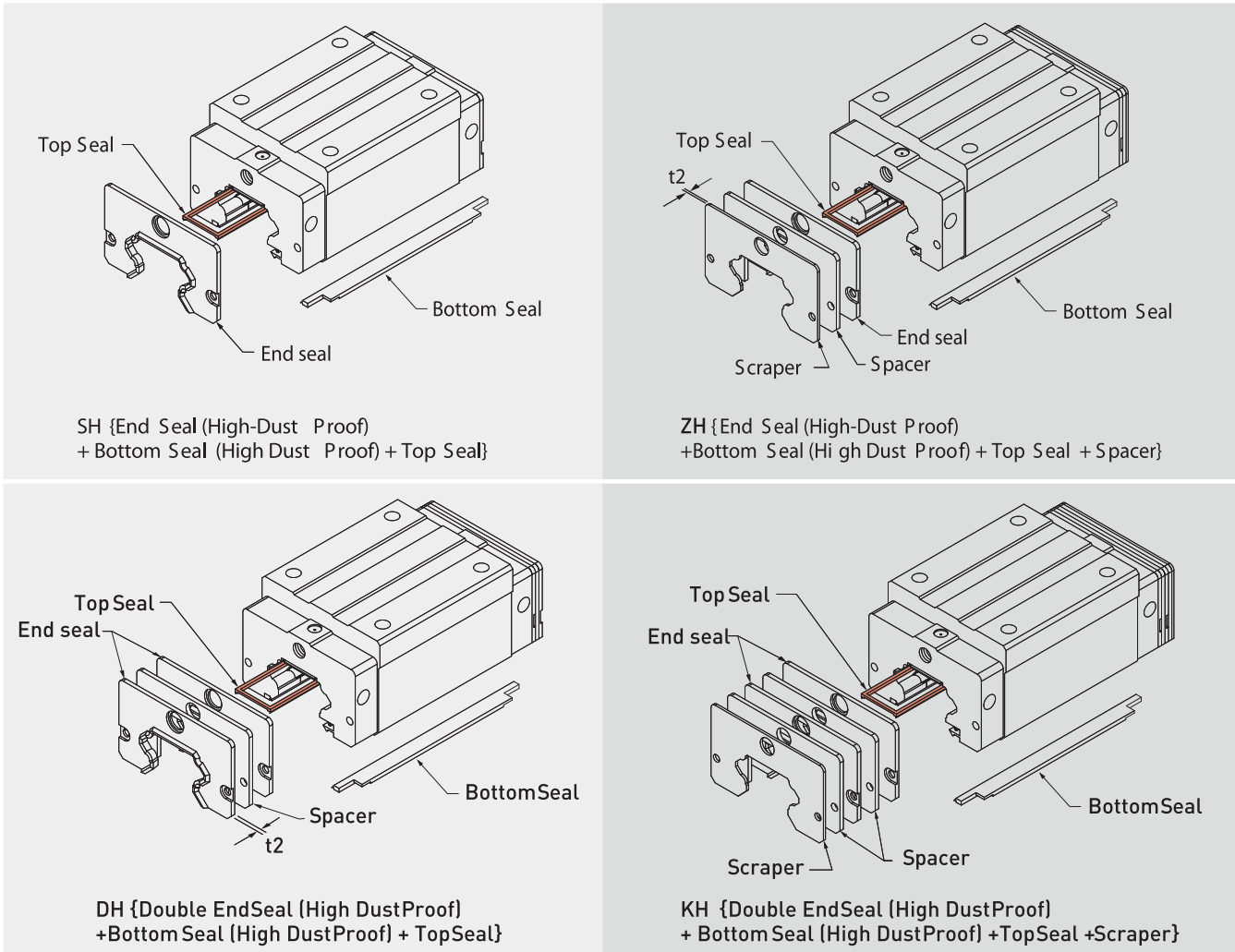
The scraper removes high-temperature iron chips and larger foreign objects.

Table 2-1-15 Dimensions of scraper

Size	Thickness (t2) (mm)	Size	Thickness (t2) (mm)
H15 SC	1.5	H35 SC	1.5
H20 SC	1.5	H45 SC	1.5
H25 SC	1.5	-	-
H30 SC	1.5	-	-

## (5) Codes of high-dust proof accessories

Kalatec develops many kinds of dust proof accessories for different application and working environment to avoid dust or debris. If the following accessories are needed, please add the code followed by the model number.



- Note:
1. The available size for high dust proof accessories are H20, 25, 30, 35 and 45
  2. The value of friction force will increase 0.6~1.2 kgf.
  3. For higher demands of the anti-dust ability, please contact Kalatec

### ○ Top Seal

Top seal can efficiently avoid dust from the surface of rail or tapping hole getting inside the block.