

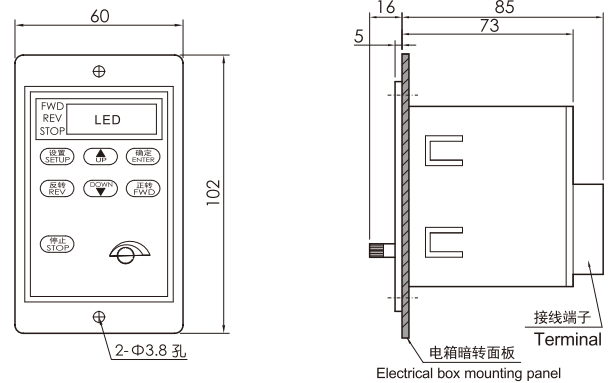
Digital panel speed controller

Digital panel speed controller

Digital panel speed controller



WS-L外形尺寸 WS-L dimensions



FEATURES

- Achieve continuously variable transmission in a wide range combined with variable speed motor
- Feature-rich, enabling slow acceleration, slow deceleration and motor stall protection.
- The capacitor for speed governor running is mounted directly inside the governor, featuring neat and convenient wiring.

MODEL PARAMETERS

MODEL	WS-L	
INSTALLATION METHOD	Digital panel	
SPEED REGULATION	Panel Key and potentiometer	
SUPPLY VOLTAGE	单相220Vac	Single phase 220Vac
FUNCTIONS	Speed control, slow acceleration, slow deceleration, electronic brake, stall protection, panel control forward and reverse rotation, speed display, Digital display key controlled, it will be remembered, ratio setting and choose external switchK1 AND K2 Can connect with PLC to control directly.	
APPLICABLE MOTOR POWER RANGE	6W~200W	
RUNNING CAPACITOR	内置Built-in	
POWER FREQUENCY	50/60Hz	
SPEED RANGE	50Hz:90~1300r/min 60Hz:90~1600r/min	
RATE OF SPEED CHANGE	5%	
ELECTRONIC BRAKING TIME	0.4秒sec	
ENVIRONMENT OF USE	-10℃~+40℃无冻结No freezing,<85%(无结露No condensation)	