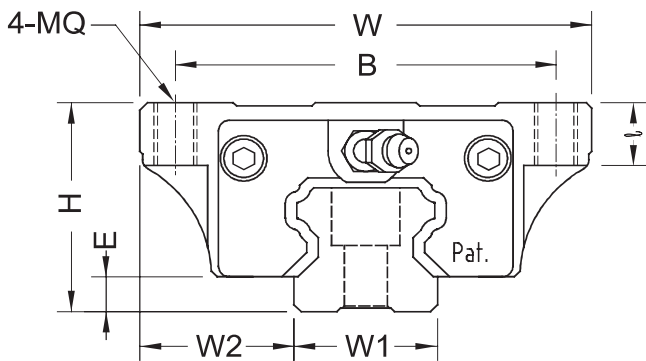
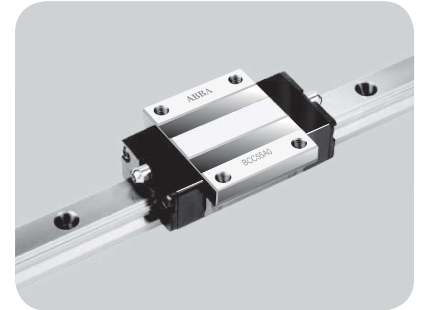


## Dimension of Linear Guide

BCH-55-A



Model No.	Assembly (mm)					Block (mm)						Rail (mm)			
	H	W	W2	E	L	BXJ	MQx4	L1	Oil hole	T1	(N)	W1	H1	F	dxDxh
<b>BCH55A</b>	70	140	43.5	12.7	181	116x95	M14x21	131	M8x1	20	16	53	38	120	16x23x20.1