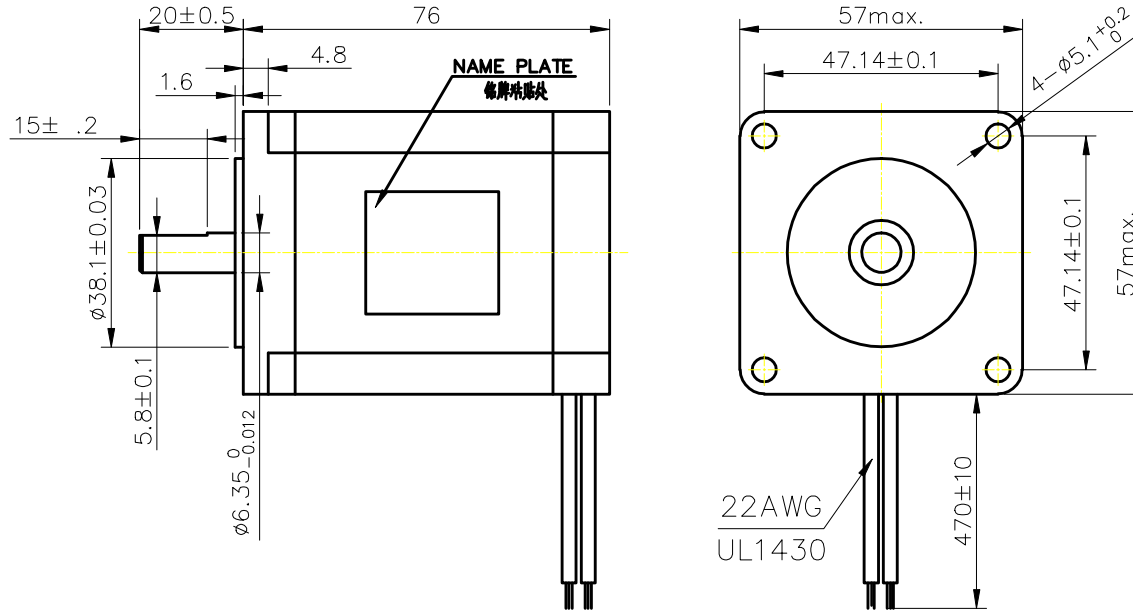
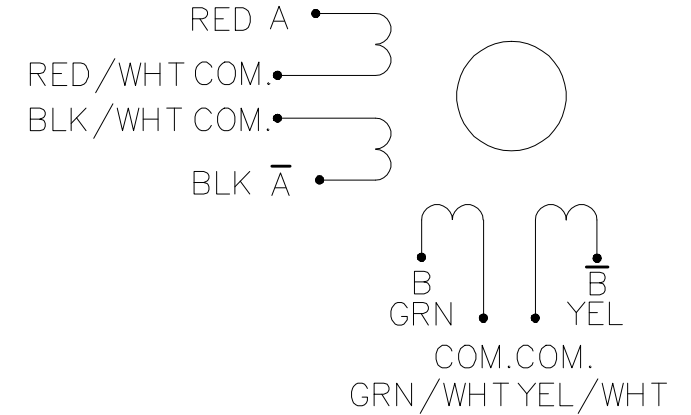



外型



Wiring Diagram:



Specifications:

Phase	4		Comment
Step Angle	1.8±5%	deg.	 LIGAÇÃO PARELO: LIGAÇÃO SÉRIE: 1,4A
Voltage	4.6	V	
Current	2	A	
Resistance	2.3±10%	$\Omega$	
Inductance	3.9±20%	mH	
Holding Torque	13.4	kg.cm	
Insulation Class	B		
Mass	1.1	kg	

SWITCHING SEQUENCE FOR CW ROTATION VIEWED FROM MOUNTING END

Step	RED A	GRN B	BLK $\bar{A}$	YEL $\bar{B}$	RED/WHT BLK/WHT COM.	GRN/WHT YEL/WHT COM.
0	ON	ON			+V	
1		ON	ON		+V	
2			ON	ON	+V	
3	ON			ON	+V	
4	ON	ON			+V	

REV.	QTY.	No.	SIG.	DATE	Title:			KTC-HT23-400
					Specification			
DESIGN			STD.		CLS.MAK	WEIGHT	SCALE	WWW.KALATEC.COM.BR
CHECK								
PROC.			APPR.		PAGE:	OF	PAGES	