



Data sheet

# Linear Actuators LA-B15



## Data sheet

# LA-B15

### Features

- 24V DC permanent magnet motor
- Thrust up to 6000 N in push and up to 4000 N in pull
- Color: grey or black
- Standard protection class: IP66
- Aluminium-Alloy outer tube and inner tube, beautiful and corrosion resistant
- Low noise; The average noise level is lower than 48dB (ambient noise is less than 40dB).
- Built-in electronic limit switches
- High-strength front and back fixtures
- Certificate : CE, UL60601-1, IEC60601-1



---

### Options

- Only push no pull function: Optional
- Hall sensor feedback: Optional
- Reed switch feedback: Optional
- Without Relay system: Optional

### Usage

- Ambient temperature: +5 ° to +40 °
- Duty cycle: Max 10% or 2 minutes continues use followed by 18 minutes not in use
- Matching control box: LA-CB8,LA-CB13A,LA-CB-T,LA-CB13B

---

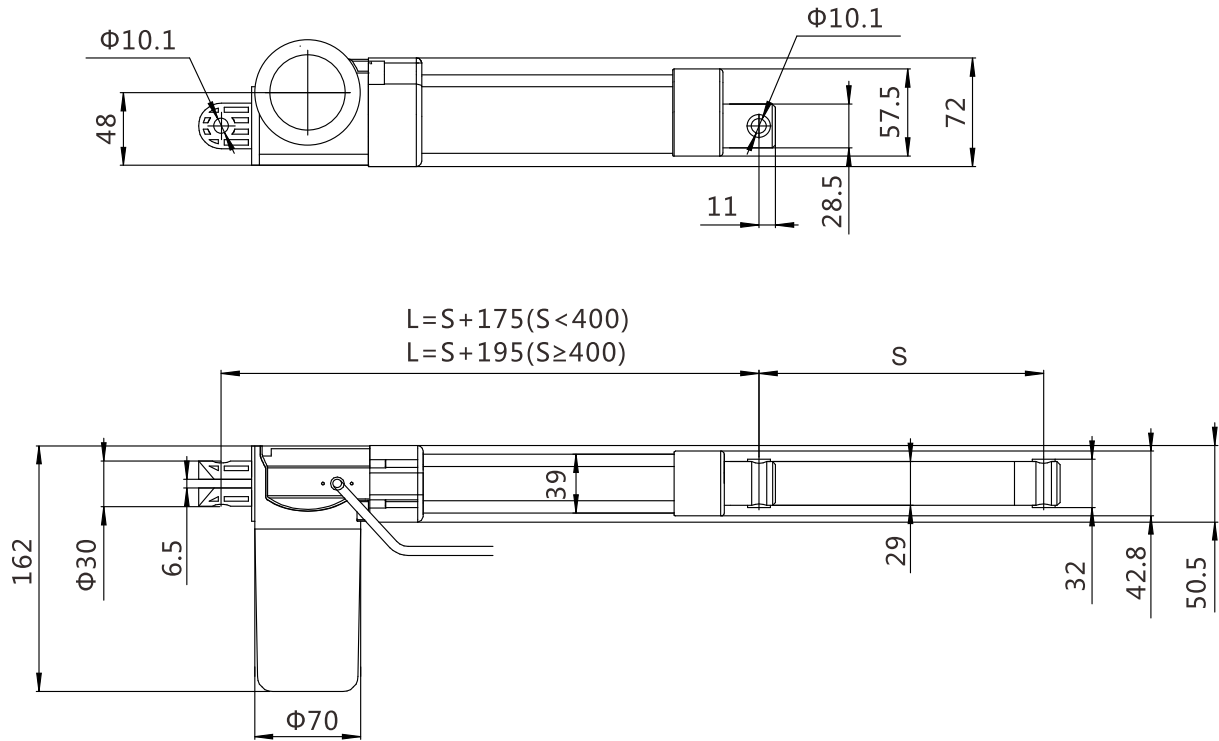
## Technical specifications

Spindle pitch mm	Max. load push (N)	Max. load pull (N)	Self-lock (N)	Typical speed Unloaded (mm)	Typical speed full load (mm)	Typical Amp full load (A)
4	6000	4000	6000	5	3	4.5
5	4000	4000	4000	6	4	4
7.5	3000	3000	3000	10	6	4
5	2000	2000	2000	13	9	4
7.5	1500	1500	1500	20	13	4.5
12	1000	1000	1000	30	22	4
16	750	750	750	42	26	4

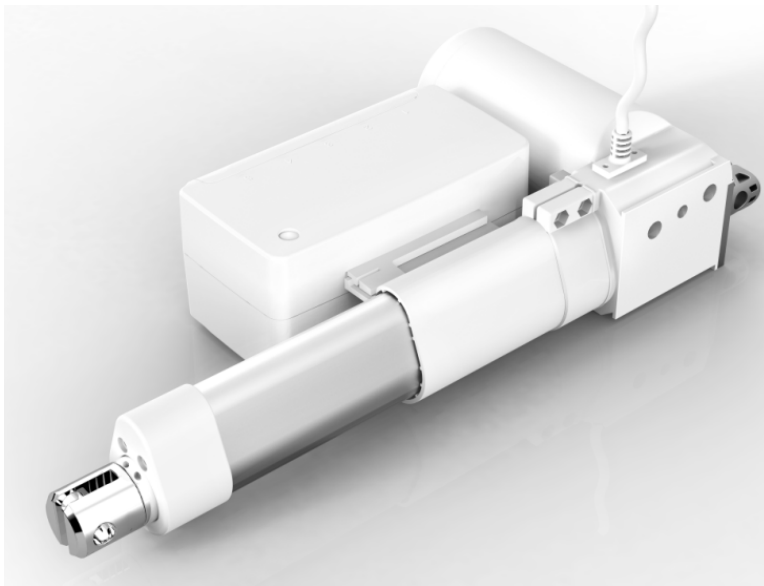
### Comments to table

- The above measures are made in connection with 24V DC stabilized voltage supply.
- Summit control boxes are designed so that they will short-circuit the motor terminals (poles) of the actuator(s) when the actuator(s) are not running. This solution gives the actuator(s) a higher self-locking ability. If the actuator(s) are not connected to a Summit control box, the terminals of the motor must be short-circuited to achieve the self-locking ability of the actuator.
- When the load in push is above 6000N, the max. stroke length is 400mm;  
 When the load in push is above 4000N, the max. stroke length is 500mm;  
 When the load in push is above 3000N, the max. stroke length is 600mm;  
 When the load in push is above 2000N, the max. stroke length is 650mm;  
 When the load in push is above 1500N, the max. stroke length is 650mm;  
 When the load in push is above 1000N, the max. stroke length is 650mm;  
 When the load in push is above 700N, the max. stroke length is 700mm.

## Dimension



JC35DN mounting with JCB35Q



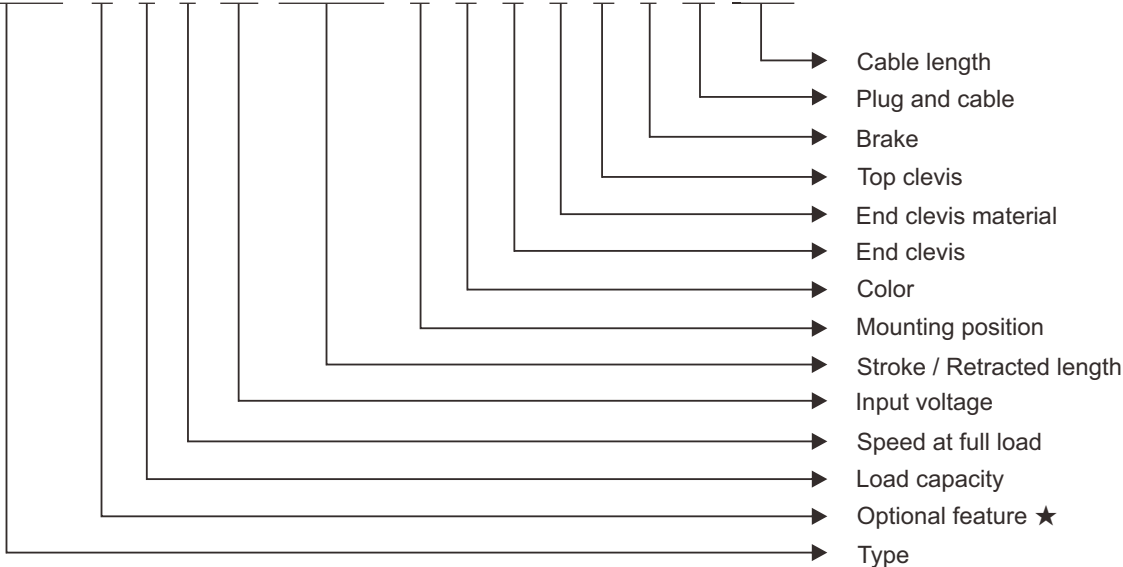
## Installation dimensions

$$L = S + 175 (S < 400)$$

$$L = S + 195 (S \geq 400)$$

**Ordering Key**

**LA-B15 - R - 6 - 3 - 12 - 100/275 - V - B - D - Z - A - 0 - 04 - 2D0**



- ★
- 0 Standard
- Y Hall sensor feedback
- R Reed Switch feedback
- P Only push no pull