

Control Boxes L A - C B 1 3 A



KALATEC AUTOMAÇÃO

AV. SALTO 99 - CAMPINAS - SP

FONE: 19-3045-4900

www.kalatec.com.br



Data sheet

LA-CB13A

LA-CB13A is new design control box, with SMPS power supply, can used for all over the world, use for medical&rehabcare area, can be mounted with actuator
LA-B2, L A - B 1 5 , L A - 2 9 - 3



Features

- Connect 1-4 actuators and 1 controller
- Input voltage: 100-240VAC
- Output voltage: 24VDC
- Color: Black and Grey
- Overcurrent protection: total current protection or single channel current protection
- Transformer power 50W 100W
- Exchangeable mains cables 3m for world-wide compatibility
- Can be with mounting hole and screw into machine
- IP rating: IP54

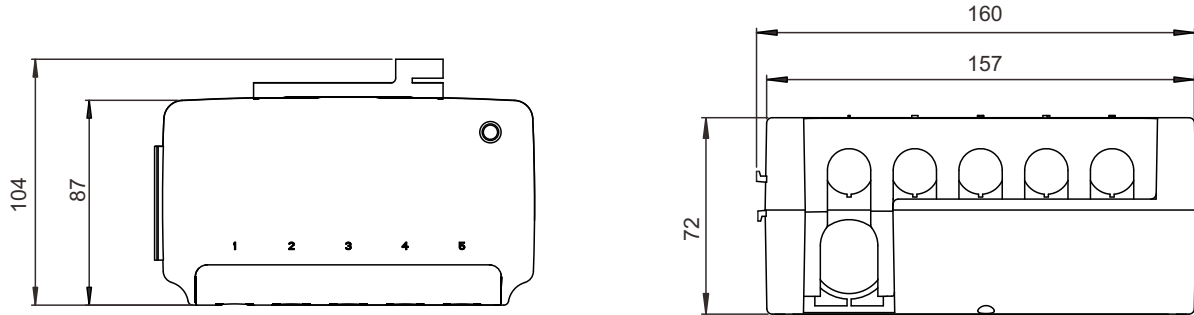
Optional

- With 2.4G wireless receiver, and compatible with wireless remoter

Usage

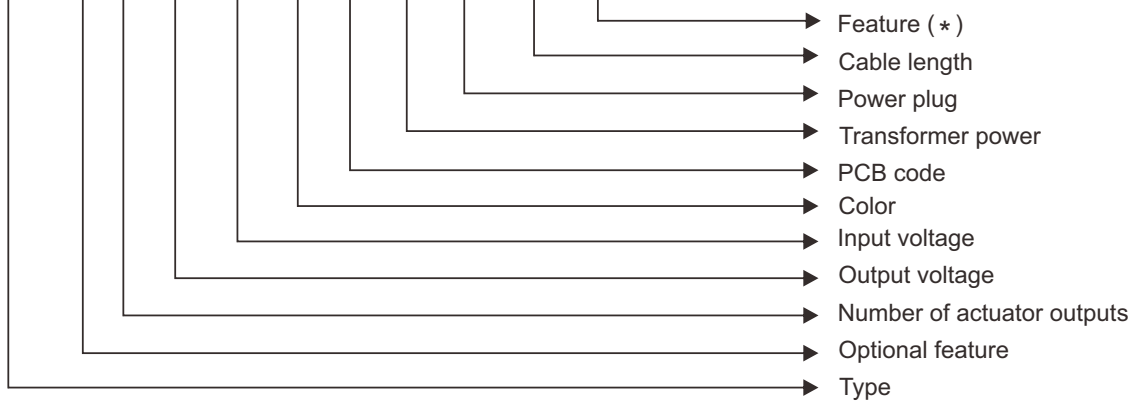
- Duty cycle: Max. 10% or 2 min. continuous use followed by 18 min. not in use.
- Ambient temperature: +5° to +40°C
- Medically approved according to IEC60601, UL, KC

Dimension



Ordering Key

LA-CB13A-0-4-24-230-B-02-50-Z3-3D0-01



- *
 - 00:standard
 - 01:external AC fuse
 - 02:with study button
 - 03:with direct earth wire
 - 04:with reset button
 - 05:with wireless
 - 06:double connections for handsets
 - 07:external DC fuse
 - 08:with night light function
 - 09:allow to connect outside battery
 - 10:with pile for earth wire