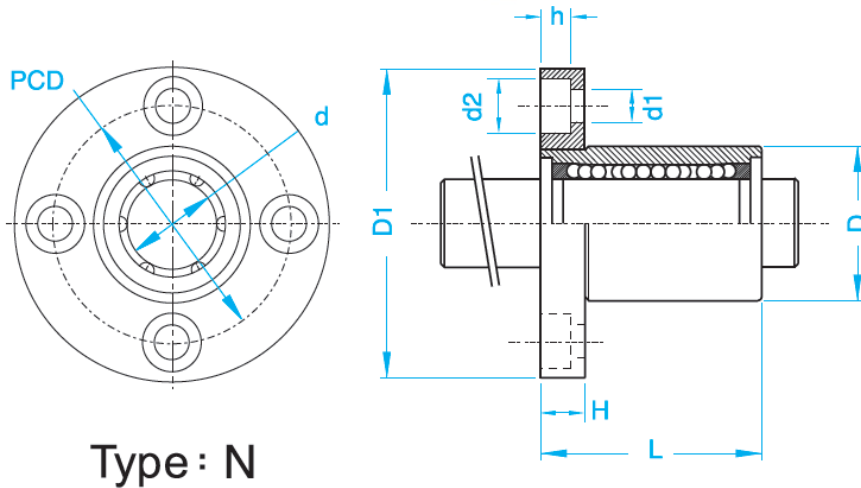


ROLAMENTO LINEAR FLANGEADO- LMFxx-UU



Type : N

Unit : mm

Model No.	Basic Dimension											Load (Kgf)		Weight(g)		
	d	D	D tolerance (μm)	L	L tolerance (μm)	D1	D1 tolerance (μm)	H	PCD	K	d1	d2	h		Dynamic load rating (Ca)	Static load rating (Coa)
LF6UU	6	12	0-11	19		28		5	20	22	3.4	6.5	3.3	200	206	26.5
LF8UU	8	15	0	24		32		5	24	25	3.4	6.5	3.3	260	400	40
LF10UU	10	19	-13	29		40		6	29	30	4.5	8	4.4	370	540	78
LF12UU	12	21		30	0	42	0	6	32	32	4.5	8	4.4	410	290	76
LF16UU	16	28		37	-20	48	-20	6	38	37	4.5	8	4.4	770	1170	134
LF20UU	20	32	0	42		54		8	43	42	5.5	9.5	5.4	860	1370	180
LF25UU	25	40	-16	59		62		8	51	50	5.5	9.5	5.4	980	1560	340
LF30UU	30	45		64		74		10	60	58	6.6	11	6.5	1560	2740	460
LF40UU	40	60	0	80	0	96	0	13	78	75	9	14	8.6	2150	4010	1054
LF50UU	50	80	-19	100	-30	116	-30	13	98	92	9	14	8.6	3820	7830	2200

Note : UU with oil seals in ends