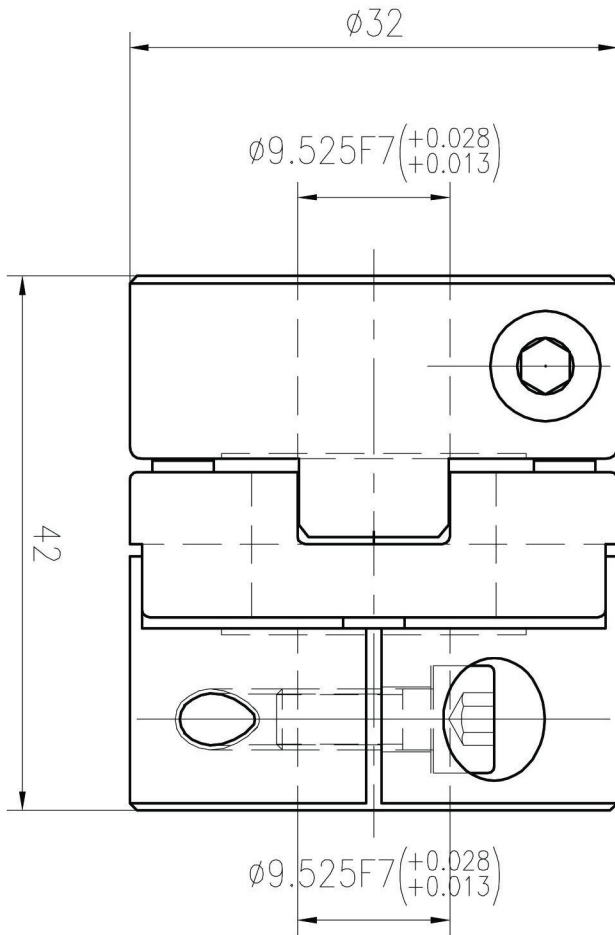
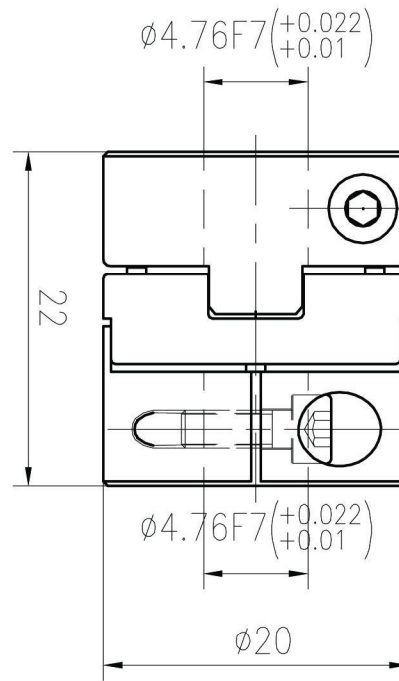


OLDHAM 32-K



OLDHAM 20-K



OLDHAM 25-K

